

Custom lead screw machining

Please download the PDF. To complete the form, you need Adobe Acrobat Reader.

Customer name

Nanotec offers various types of machining for lead screws: Screw end with chamfer, width across flats, metric ISO thread, non-locating bearing seat, locating bearing seat and press fit as well as smooth screw ends. Please select the lead screw by thread code as well as the screw ends and fill in the screw length and the required number of pieces. You will find details and dimensions on the following pages.

No.	Thread code	Overall length (50-500 mm, tol. +3/+0)	1st screw end	2nd screw end	Pcs
1					
2					
3					
4					
5					

Please note

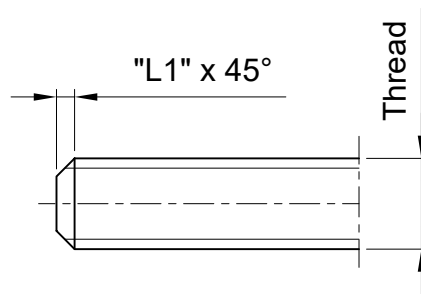
- If the lead screw is in stock, our delivery time is approximately one week for 1-24 pieces and approx. two weeks for 25 or more pieces. Please go to our website to check the stock availability of a screw.
- For larger quantities, other modifications are also possible. For further information please contact our sales department: sales@nanotec.de

Please send the completed form via e-mail to info@nanotec.de or by fax to +49 89 900686-50.

Custom lead screw machining

Please download the PDF. To complete the form, you need Adobe Acrobat Reader.

Chamfer



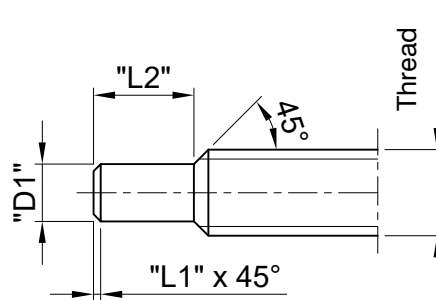
	Thread code	Ø Thread	Thread lead	L1 Chamfer length
NEMA 8	UEAP	3.50	0.61	0.8
	TDBA	3.50	1.00	0.8
	UECB	3.50	2.00	0.8
	UEEB	3.50	4.00	0.8
NEMA 11	UGAQ	4.76	0.64	1.0
	UGBG	4.76	1.27	1.0
	UGCN	4.76	2.54	1.0
	UGFC	4.76	5.08	1.0
NEMA 14/17	THCA	5.00	2.00	1.0
	UIAP	5.56	0.61	1.2
	UIBF	5.56	1.22	1.2
	UICL	5.56	2.44	1.2
	UIEV	5.56	4.88	1.2
	UIJS	5.56	9.75	1.2
	TJBA	6.00	1.00	1.2
	TJCA	6.00	2.00	1.2
	UKAS	6.35	0.79	1.2
	UKBN	6.35	1.59	1.2
NEMA 23	UKDE	6.35	3.18	1.2
	UKGI	6.35	6.35	1.2
	UQBG	9.53	1.27	2.2
	UQBN	9.53	1.59	2.2
	UQCD	9.53	2.11	2.2
	UQCN	9.53	2.54	2.2
	UQEG	9.53	4.23	2.2
	UQFC	9.53	5.08	2.2
	UQKE	9.53	10.16	2.2
	UQMS	9.53	12.70	2.2
TSCA	10.00	2.00	2.2	
TSGA	10.00	6.00	2.2	

All dimensions are in mm with general tolerances as per DIN ISO 2768-mK.

Custom lead screw machining

Please download the PDF. To complete the form, you need Adobe Acrobat Reader.

Smooth screw end



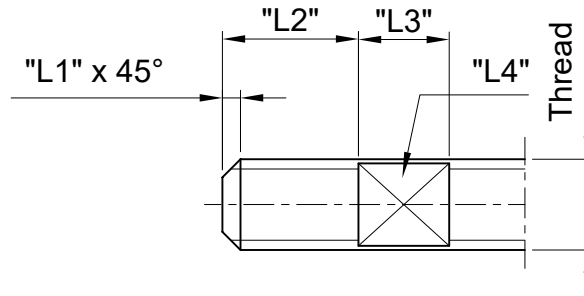
	Thread code	Ø Thread	Thread lead	L1 Chamfer length	L2 Shoulder length	D1 Ø Shoulder
NEMA 8	UEAP	3.50	0.61	0.2	3	1.5 h7
	TDBA	3.50	1.00	0.2	3	1.5 h7
	UECB	3.50	2.00	0.2	3	1.5 h7
	UEEB	3.50	4.00	0.2	3	1.5 h7
NEMA 11	UGAQ	4.76	0.64	0.4	7	2.5 h7
	UGBG	4.76	1.27	0.4	7	2.5 h7
	UGC�	4.76	2.54	0.4	7	2.5 h7
	UGFC	4.76	5.08	0.4	7	2.5 h7
	THCA	5.00	2.00	0.4	7	3 h7
NEMA 14/17	UIAP	5.56	0.61	0.5	7	3.5 h7
	UIBF	5.56	1.22	0.5	7	3.5 h7
	UICL	5.56	2.44	0.5	7	3.5 h7
	UIEV	5.56	4.88	0.5	7	3.5 h7
	UIJS	5.56	9.75	0.5	7	3.5 h7
	TJBA	6.00	1.00	0.5	7	4 h7
	TJCA	6.00	2.00	0.5	7	4 h7
	UKAS	6.35	0.79	0.5	7	4 h7
	UKBN	6.35	1.59	0.5	7	4 h7
	UKDE	6.35	3.18	0.5	7	4 h7
NEMA 23	UKGI	6.35	6.35	0.5	7	4 h7
	UQBG	9.53	1.27	0.8	12	5 h7
	UQBN	9.53	1.59	0.8	12	5 h7
	UQCD	9.53	2.11	0.8	12	5 h7
	UQCN	9.53	2.54	0.8	12	5 h7
	UQEG	9.53	4.23	0.8	12	5 h7
	UQFC	9.53	5.08	0.8	12	5 h7
	UQKE	9.53	10.16	0.8	12	5 h7
	UQMS	9.53	12.70	0.8	12	5 h7
	TSCA	10.00	2.00	0.8	12	6 h7
TSGA	10.00	6.00	0.8	12	6 h7	

All dimensions are in mm with general tolerances as per DIN ISO 2768-mK.

Custom lead screw machining

Please download the PDF. To complete the form, you need Adobe Acrobat Reader.

Width across flats



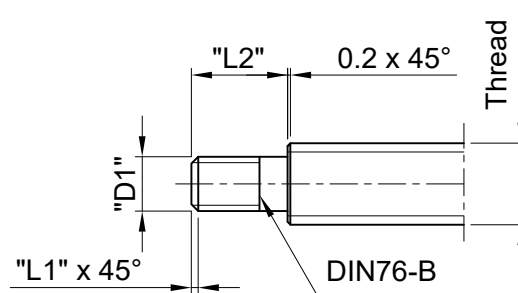
	Thread code	Ø Thread	Thread lead	L1 Chamfer length	L2 Width across flats position	L3 Width across flats length	L3 Width across flats
NEMA 8	UEAP	3.50	0.61	-	-	-	-
	TDBA	3.50	1.00	-	-	-	-
	UECB	3.50	2.00	-	-	-	-
	UEEB	3.50	4.00	-	-	-	-
NEMA 11	UGAQ	4.76	0.64	1.0	3	7	AF3
	UGBG	4.76	1.27	1.0	3	7	AF3
	UGCN	4.76	2.54	1.0	3	7	AF3
	UGFC	4.76	5.08	1.0	3	7	AF3
NEMA 14/17	THCA	5.00	2.00	1.0	3	7	AF3
	UIAP	5.56	0.61	1.2	3	7	AF4
	UIBF	5.56	1.22	1.2	3	7	AF4
	UICL	5.56	2.44	1.2	3	7	AF4
	UIEV	5.56	4.88	1.2	3	7	AF4
	UIJS	5.56	9.75	1.2	3	7	AF4
	TJBA	6.00	1.00	1.2	3	7	AF4
	TJCA	6.00	2.00	1.2	3	7	AF4
	UKAS	6.35	0.79	1.2	3	7	AF4
	UKBN	6.35	1.59	1.2	3	7	AF4
NEMA 23	UKDE	6.35	3.18	1.2	3	7	AF4
	UKGI	6.35	6.35	1.2	3	7	AF4
	UQBG	9.53	1.27	2.2	3	7	AF6
	UQBN	9.53	1.59	2.2	3	7	AF6
	UQCD	9.53	2.11	2.2	3	7	AF6
	UQCN	9.53	2.54	2.2	3	7	AF6
	UQEG	9.53	4.23	2.2	3	7	AF6
	UQFC	9.53	5.08	2.2	3	7	AF6
	UQKE	9.53	10.16	2.2	3	7	AF6
	UQMS	9.53	12.70	2.2	3	7	AF6
TSCA	10.00	2.00	2.2	3	7	AF6	
TSGA	10.00	6.00	2.2	3	7	AF6	

All dimensions are in mm with general tolerances as per DIN ISO 2768-mK.

Custom lead screw machining

Please download the PDF. To complete the form, you need Adobe Acrobat Reader.

ISO metric screw thread



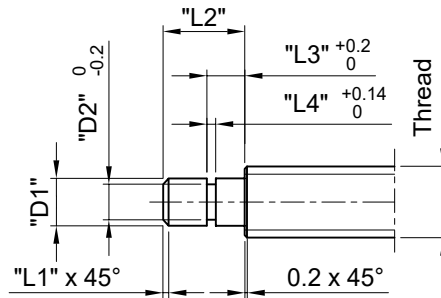
	Thread code	Ø Thread	Thread lead	L1 Chamfer length	L2 Shoulder length	D1 Thread
NEMA 8	UEAP	3.50	0.61	0.3	3	M2
	TDBA	3.50	1.00	0.3	3	M2
	UECB	3.50	2.00	0.3	3	M2
	UEEB	3.50	4.00	0.3	3	M2
NEMA 11	UGAQ	4.76	0.64	0.4	7	M2.5
	UGBG	4.76	1.27	0.4	7	M2.5
	UGC�	4.76	2.54	0.4	7	M2.5
	UGFC	4.76	5.08	0.4	7	M2.5
	THCA	5.00	2.00	0.4	7	M3
NEMA 14/17	UIAP	5.56	0.61	0.4	7	M3.5
	UIBF	5.56	1.22	0.4	7	M3.5
	UICL	5.56	2.44	0.4	7	M3,5
	UIEV	5.56	4.88	0.4	7	M3,5
	UIJS	5.56	9.75	0.4	7	M3,5
	TJBA	6.00	1.00	0.5	7	M4
	TJCA	6.00	2.00	0.5	7	M4
	UKAS	6.35	0.79	0.5	7	M4
	UKBN	6.35	1.59	0.5	7	M4
	UKDE	6.35	3.18	0.5	7	M4
NEMA 23	UKGI	6.35	6.35	0.5	7	M4
	UQBG	9.53	1.27	0.7	12	M5
	UQBN	9.53	1.59	0.7	12	M5
	UQCD	9.53	2.11	0.7	12	M5
	UQCN	9.53	2.54	0.7	12	M5
	UQEG	9.53	4.23	0.7	12	M5
	UQFC	9.53	5.08	0.7	12	M5
	UQKE	9.53	10.16	0.7	12	M5
	UQMS	9.53	12.70	0.7	12	M5
	TSCA	10.00	2.00	0.7	12	M6
TSGA	10.00	6.00	0.7	12	M6	

All dimensions are in mm with general tolerances as per DIN ISO 2768-mK.

Custom lead screw machining

Please download the PDF. To complete the form, you need Adobe Acrobat Reader.

Non-locating bearing seat



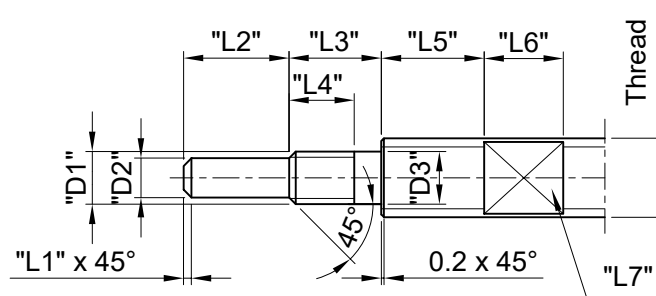
	Thread code	\varnothing Thread	Thread lead	L1 Chamfer length	L2 Shoulder length	L3 Washer position	L4 Groove width	D1 \varnothing Shoulder	D2 \varnothing Groove
NEMA 8	UEAP	3.50	0.61	-	-	-	-	-	-
	TDBA	3.50	1.00	-	-	-	-	-	-
	UECB	3.50	2.00	-	-	-	-	-	-
	UEEB	3.50	4.00	-	-	-	-	-	-
NEMA 11	UGAQ	4.76	0.64	-	-	-	-	-	-
	UGBG	4.76	1.27	-	-	-	-	-	-
	UGCEN	4.76	2.54	-	-	-	-	-	-
	UGFC	4.76	5.08	-	-	-	-	-	-
NEMA 14/17	THCA	5.00	2.00	0.4	7	5.5	0.5	3 j6	2.8
	UIAP	5.56	0.61	0.5	7	5.5	0.5	3 j6	2.8
	UIBF	5.56	1.22	0.5	7	5.5	0.5	3 j6	2.8
	UICL	5.56	2.44	0.5	7	5.5	0.5	3 j6	2.8
	UIEV	5.56	4.88	0.5	7	5.5	0.5	3 j6	2.8
	UIJS	5.56	9.75	0.5	7	5.5	0.5	3 j6	2.8
	TJBA	6.00	1.00	0.5	7	5.5	0.5	4 j6	3.8
	TJCA	6.00	2.00	0.5	7	5.5	0.5	4 j6	3.8
	UKAS	6.35	0.79	0.5	7	5.5	0.5	4 j6	3.8
	UKBN	6.35	1.59	0.5	7	5.5	0.5	4 j6	3.8
	UKDE	6.35	3.18	0.5	7	5.5	0.5	4 j6	3.8
	UKGI	6.35	6.35	0.5	7	5.5	0.5	4 j6	3.8
NEMA 23	UQBG	9.53	1.27	0.8	8	6.7	0.7	5 j6	4.8
	UQBN	9.53	1.59	0.8	8	6.7	0.7	5 j6	4.8
	UQCD	9.53	2.11	0.8	8	6.7	0.7	5 j6	4.8
	UQCN	9.53	2.54	0.8	8	6.7	0.7	5 j6	4.8
	UQEG	9.53	4.23	0.8	8	6.7	0.7	5 j6	4.8
	UQFC	9.53	5.08	0.8	8	6.7	0.7	5 j6	4.8
	UQKE	9.53	10.16	0.8	8	6.7	0.7	5 j6	4.8
	UQMS	9.53	12.70	0.8	8	6.7	0.7	5 j6	4.8
	TSCA	10.00	2.00	0.8	8	6.7	0.7	5 j6	4.8
	TSGA	10.00	6.00	0.8	8	6.7	0.7	5 j6	4.8

All dimensions are in mm with general tolerances as per DIN ISO 2768-mK.

Custom lead screw machining

Please download the PDF. To complete the form, you need Adobe Acrobat Reader.

Locating bearing seat + press fit



	Thread code	Ø Thread	Thread lead	L1 Chamfer length	L2 Shoulder length	L3 Shoulder length	L4 Thread length	L5 Width across flats position	L6 Width across flats length	L7 Width across flats	D1 Thread	D2 Ø Shoulder	D3 Ø Shoulder
NEMA 8	UEAP	3.50	0.61	-	-	-	-	-	-	-	-	-	-
	TDBA	3.50	1.00	-	-	-	-	-	-	-	-	-	-
	UECB	3.50	2.00	-	-	-	-	-	-	-	-	-	-
	UEEB	3.50	4.00	-	-	-	-	-	-	-	-	-	-
NEMA 11	UGAQ	4.76	0.64	-	-	-	-	-	-	-	-	-	-
	UGBG	4.76	1.27	-	-	-	-	-	-	-	-	-	-
	UGCN	4.76	2.54	-	-	-	-	-	-	-	-	-	-
	UGFC	4.76	5.08	-	-	-	-	-	-	-	-	-	-
NEMA 14/17	THCA	5.00	2.00	0.2	3.5	11	6.5	3	7	AF3	M3	2 h7	3 j6
	UIAP	5.56	0.61	0.2	3.5	11	6.5	3	7	AF4	M3	2 h7	3 j6
	UIBF	5.56	1.22	0.2	3.5	11	6.5	3	7	AF4	M3	2 h7	3 j6
	UICL	5.56	2.44	0.2	3.5	11	6.5	3	7	AF4	M3	2 h7	3 j6
	UIEV	5.56	4.88	0.2	3.5	11	6.5	3	7	AF4	M3	2 h7	3 j6
	UIJS	5.56	9.75	0.2	3.5	11	6.5	3	7	AF4	M3	2 h7	3 j6
	TJBA	6.00	1.00	0.4	10	11	6.5	3	7	AF4	M4	3 h7	4 j6
	TJCA	6.00	2.00	0.4	10	11	6.5	3	7	AF4	M4	3 h7	4 j6
	UKAS	6.35	0.79	0.4	10	11	6.5	3	7	AF4	M4	3 h7	4 j6
	UKBN	6.35	1.59	0.4	10	11	6.5	3	7	AF4	M4	3 h7	4 j6
	UKDE	6.35	3.18	0.4	10	11	6.5	3	7	AF4	M4	3 h7	4 j6
	UKGI	6.35	6.35	0.4	10	11	6.5	3	7	AF4	M4	3 h7	4 j6
NEMA 23	UQBG	9.53	1.27	0.5	10	12	6.5	3	7	AF6	M5	4 h7	5 j6
	UQBN	9.53	1.59	0.5	10	12	6.5	3	7	AF6	M5	4 h7	5 j6
	UQCD	9.53	2.11	0.5	10	12	6.5	3	7	AF6	M5	4 h7	5 j6
	UQCN	9.53	2.54	0.5	10	12	6.5	3	7	AF6	M5	4 h7	5 j6
	UQEG	9.53	4.23	0.5	10	12	6.5	3	7	AF6	M5	4 h7	5 j6
	UQFC	9.53	5.08	0.5	10	12	6.5	3	7	AF6	M5	4 h7	5 j6
	UQKE	9.53	10.16	0.5	10	12	6.5	3	7	AF6	M5	4 h7	5 j6
	UQMS	9.53	12.70	0.5	10	12	6.5	3	7	AF6	M5	4 h7	5 j6
	TSCA	10.00	2.00	0.5	12	12.5	7	3	7	AF6	M6	4.5 h7	6 j6
	TSGA	10.00	6.00	0.5	12	12.5	7	3	7	AF6	M6	4.5 h7	6 j6

All dimensions are in mm with general tolerances as per DIN ISO 2768-mK.