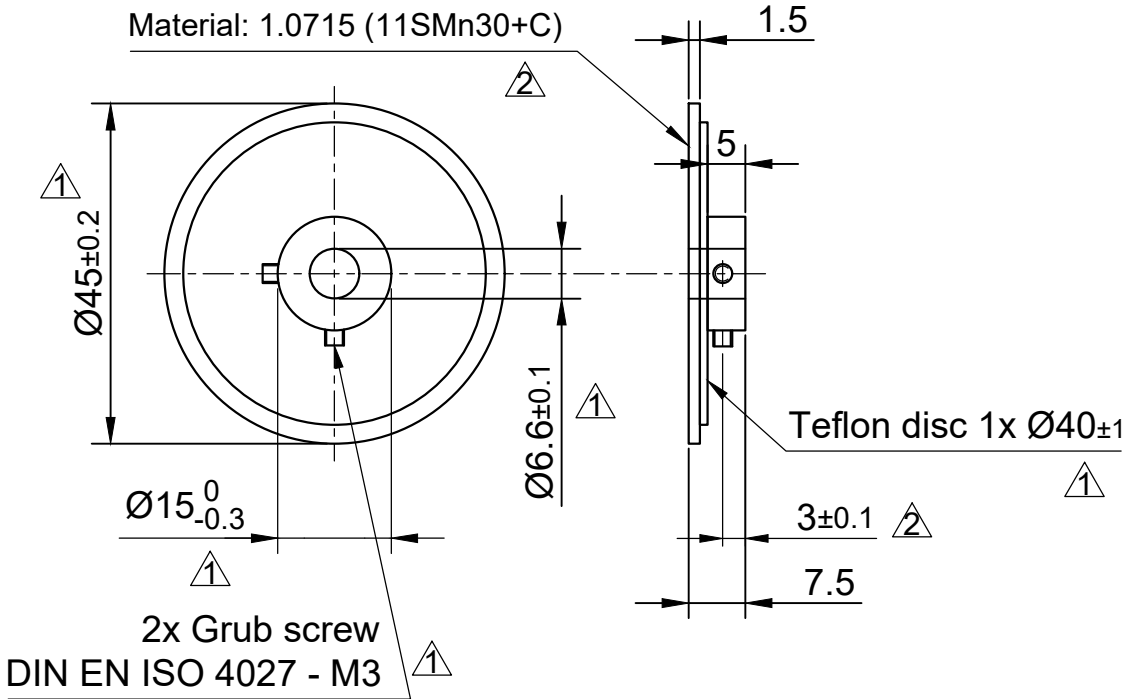
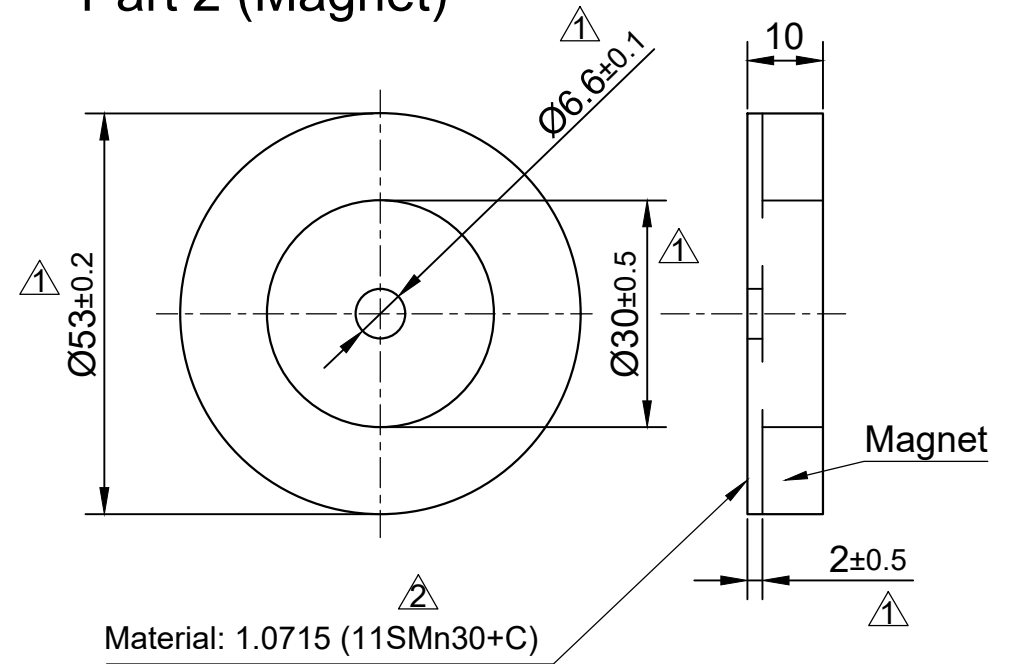


Part 1

Material: 1.0715 (11SMn30+C)



Part 2 (Magnet)



Moment of inertia: $31.4 \times 10^{-6} \text{ kg m}^2$

ISO 8015	ISO 1302	ISO 2768 cK	ISO 13715	Weight: $\pm 10\%$ 0.12 kg	
			Date	Name	ZD-D56
			Drawn	Schneid_A	
			Reviewed	Micheli_M	
02	+ dim., +mo. of inertia	Reith_S	22.12.2023	Released	Schneid_A
01	update dim. + tolerances	Schneid_A	10.01.2023		
REV	Rev. Text	Name	Date	20001824	
				State: Released	
				Rev: 02	
				CONFIDENTIAL	
				A4 Page 1	

