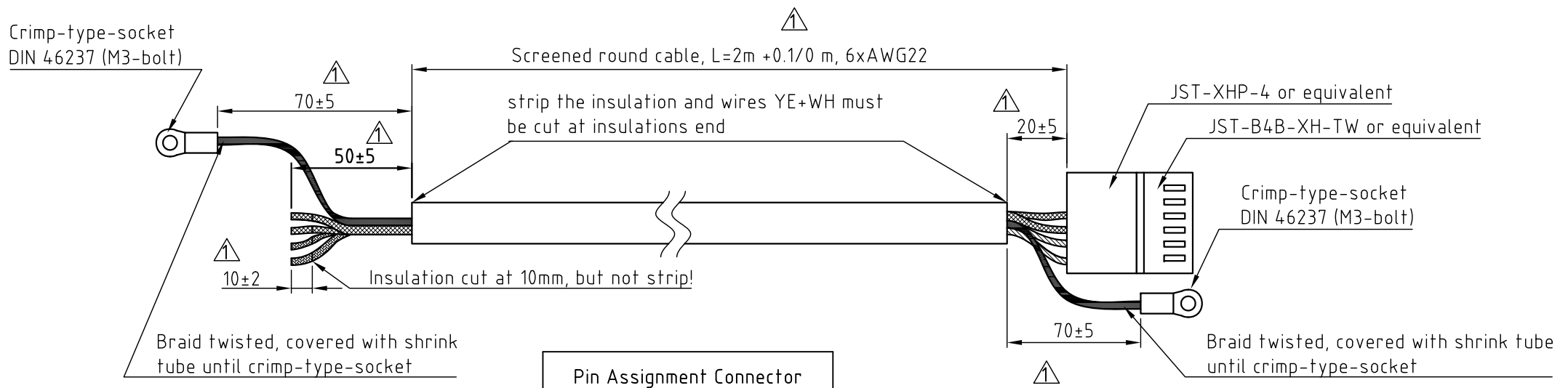


DIMENSION (UNIT : mm)



Pin Assignment Connector
JST-XHP-4

Pin No.	Color	Function
1	BU	A
2	RD	A\
3	GN	B
4	BK	B\

Twisted
Twisted

				 Nanotec [®] PLUG & DRIVE	SCALE FREE	APVD	S.H.	08.11.12	EXTENSION CABLE DWG.NO ZK-JST-VL-4
1 (7x)	TOLERANCE / PIN- COLOUR	30.01.13	A.S.		X ±0.5	CHKD			
REV	DESCRIPTION	DATE	APVD	ZK-JST-VL-4	1PL ±0.2	DRN	J.W.	08.11.12	
					2PL ±0.1	SIGNATURE		DATE	
					ANGLE ±30'				