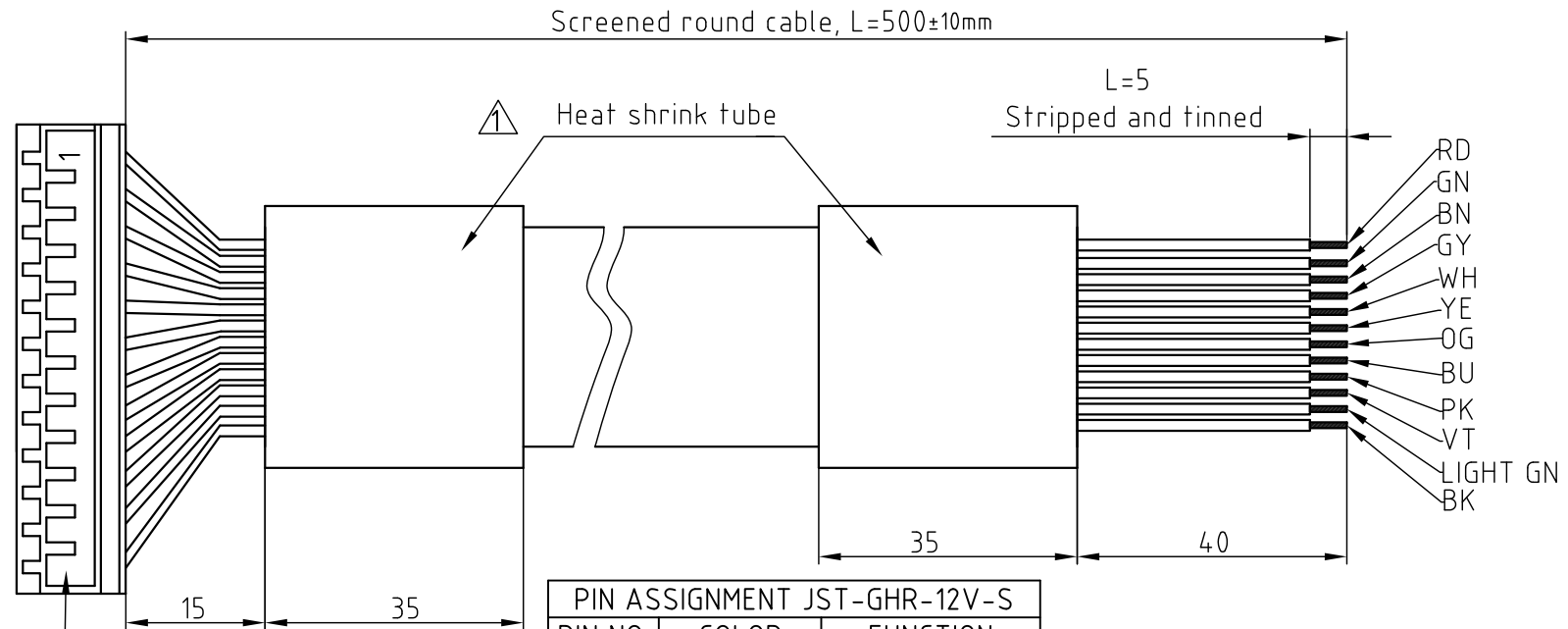


DIMENSION (UNIT : mm)



Connector: JST-GHR-12V-S
Contact: SSHL-002T-P0.2

⚠ all wires : AWG 28

PIN ASSIGNMENT JST-GHR-12V-S		
PIN NO.	COLOR	FUNCTION
1	RD	Vcc
2	GN	INPUT1
3	BN	INPUT2
4	GY	INPUT3
5	WH	INPUT4
6	YE	INPUT5
7	OG	ANALOG INPUT1
8	BU	ANALOG INPUT2
9	PK	OUTPUT1
10	VT	OUTPUT2
11	LIGHT GN	OUTPUT3
12	BK	GND

				 Nanotec [®] PLUG & DRIVE	SCALE FREE	APVD	X.W.	27.09.13	CABLE WITH GHR CONNECTOR DWG.NO ZK-GHR-12-500-S
1	ADD HEAT SHRINK+CHA.AWG	13.12.13	J.D.		X ±0.5	CHKD			
REV	DESCRIPTION	DATE	APVD	ZK-GHR-12-500-S	1PL ±0.2	DRN	J.D.	27.09.13	
					2PL ±0.1	SIGNATURE			
					ANGLE ±30'				