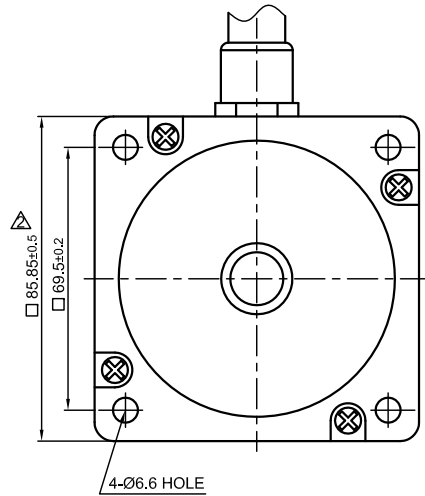
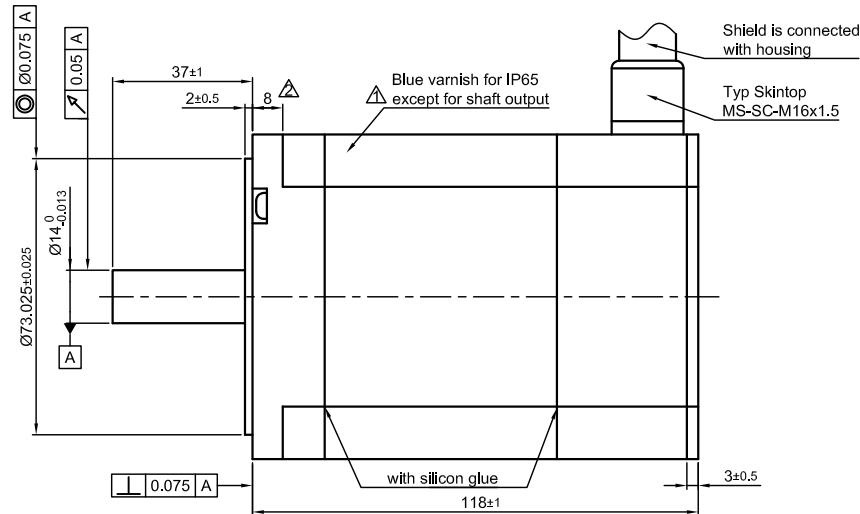


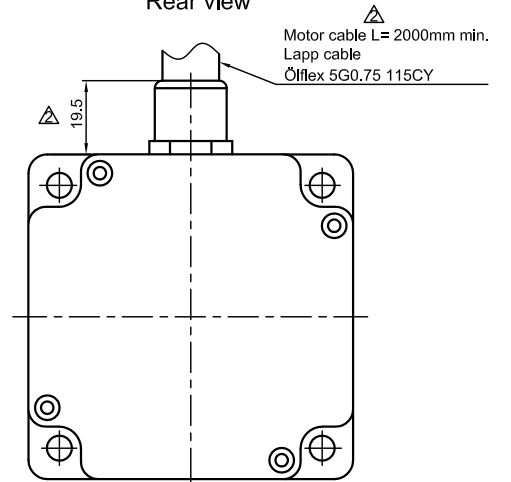
Front view and mounting



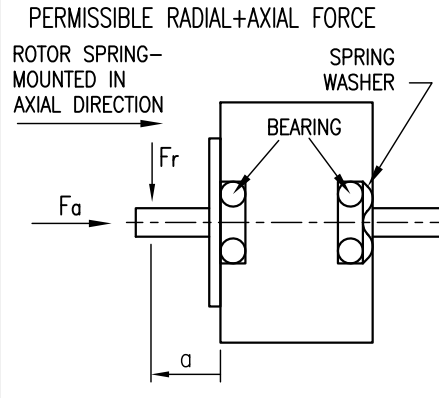
Side view



Rear view



SPECIFICATION	CONNECTION	BIPOLAR	PARALLEL
VOLTAGE (VDC)		2.1	
AMPS/PHASE		6.36	
RESISTANCE/PHASE (Ohms)@25°C		0.33±15%	
INDUCTANCE/PHASE (mH) @1KHz		3.0±20%	
HOLDING TORQUE (Nm) [lb-in]		5.94 [52.57]	
DETENT TORQUE (Nm) [lb-in]		0.21 [1.8585]	
STEP ANGLE (°)		1.8	
STEP ACCURACY (NON-ACCUM)		±5%	
ROTOR INERTIA (Kg-m <sup>2</sup> ) [lb-in <sup>2</sup> ]		2.7x10 <sup>-4</sup> [0.923]	
WEIGHT (Kg) [lb]		3.4 [7.5]	



M16 MOTOR	
CABLE NO.	ASSIGNMENT
1	A
2	A\
3	B
4	B\
5	HOUSING

TEMPERATURE RISE: MAX.80°C (MOTOR STANDSTILL; FOR 2 PHASE ENERGIZED)	AXIAL-FORCE Fa (N)	Fa=65			
AMBIENT TEMPERATURE -10°~ 50°C [14°F ~ 122°F]	DISTANCE a (mm)	5	10	15	20
INSULATION RESISTANCE 100 MOhm (UNDER NORMAL TEMPERATURE AND HUMIDITY)	RADIAL-FORCE Fr (N)	535	355	256	200
INSULATION CLASS B 130° [266°F]			AXIAL	RADIAL	
DIELECTRIC STRENGTH 500VAC FOR 1 MIN. (BETWEEN THE MOTOR COILS AND THE MOTOR CASE)	SHAFT PLAY (mm)	0.075	0.025		
AMBIENT HUMIDITY MAX. 85% (NO CONDENSATION)	AT LOAD MAX: (N)	10	5.0		

2	revise drawing	30.08.16	A.S.				APVD	S.H.	22.07.08	<b>STEPPER MOTOR IN PROTECTION</b>
1	RESTRICTION SUP.+EMF+WEIGHT	18.02.10	J.W.				CHKD			
REV	DESCRIPTION	DATE	DRN	Surface specification DIN ISO 1302	General tolerances DIN ISO 2768- cH	Work piece edge DIN ISO 13715	DRN	J.W.	22.07.08	DWG.NO
							SIGNATURE		DATE	AP8918M6404