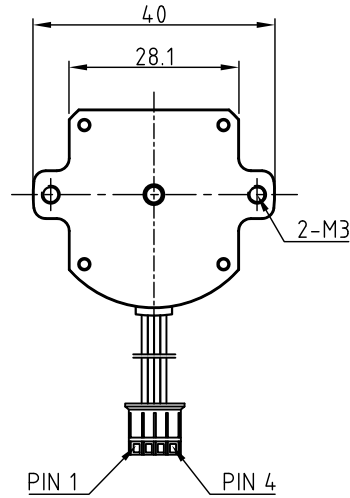
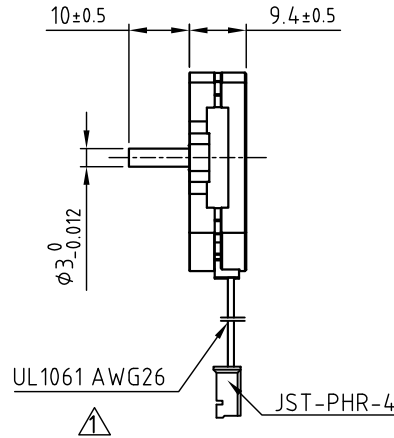


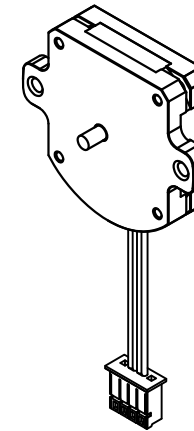
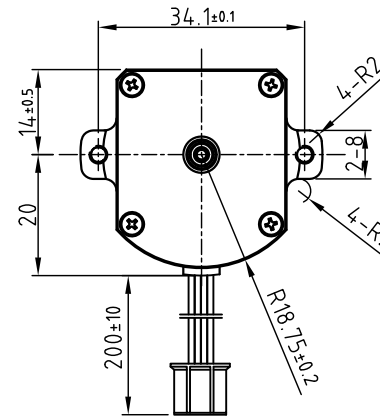
Front view and mounting



Side view

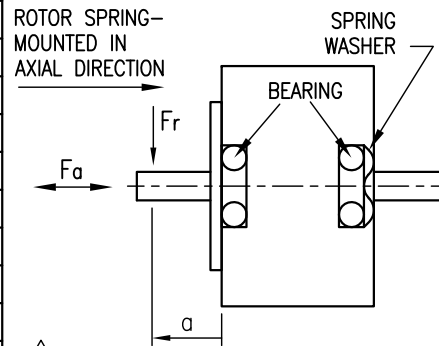


Rear view



CONNECTION	BIPOLAR SERIES
SPECIFICATION	
VOLTAGE (VDC)	1.85
AMPS/PHASE	0.5
RESISTANCE/PHASE (Ohms)@20°C	3.7±10%
INDUCTANCE/PHASE (mH) @1KHz	0.88±20%
HOLDING TORQUE (Nm) [lb-in]	9.8x10 ⁻³ [8.68x10 ⁻²]
IP CODE	IP 30
STEP ANGLE (°)	1.8
STEP ACCURACY (NON-ACCUM)	±5%
ROTOR INERTIA (Kg-m ²) [lb-in ²]	1.7x10 ⁻⁷ [5.8x10 ⁻⁴]
WEIGHT (Kg) [lb]	2.8x10 ⁻² [6.1x10 ⁻²]
TEMPERATURE RISE: MAX.80°C (MOTOR STANDSTILL; FOR 2 PHASE ENERGIZED)	
AMBIENT TEMPERATURE -10~ 50°C [14°F ~ 122°F]	
INSULATION RESISTANCE 100 MOhm (UNDER NORMAL TEMPERATURE AND HUMIDITY)	
INSULATION CLASS B 130° [266°F]	
DIELECTRIC STRENGTH 500 VDC FOR 1 MIN. (BETWEEN THE MOTOR COILS AND THE MOTOR CASE)	
AMBIENT HUMIDITY MAX. 85% (NO CONDENSATION)	

PERMISSIBLE RADIAL+AXIAL FORCE



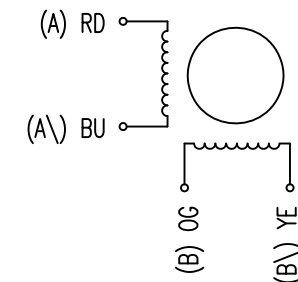
AXIAL-FORCE Fa (N)	Fr=2.0	
DISTANCE a (mm)	1/2 SHAFTLENGTH	
RADIAL-FORCE Fr (N)	Fr=5.0	
	AXIAL	RADIAL
SHAFT PLAY (mm)	0.5	0.06
AT LOAD MAX: (N)	4.5	4.5

TYPE OF CONNECTION (EXTERN)	MOTOR			
	BIPOLAR	CONNECTOR PIN NO.	LEADS	WINDING
A —	1	RD	A	
A\ —	2	BU	A\	
B —	3	OG	B	
B\ —	4	YE	B\	

FULL STEP 2 PHASE-Ex., WHEN FACING MOUNTING END (X)

STEP	A	B	A\	B\	CCW	CW
1	+	+	-	-	↓	↑
2	-	+	+	-	↓	↑
3	-	-	+	+	↓	↑
4	+	-	-	+	↓	↑

WIRING DIAGRAM



REV	DESCRIPTION	DATE	DRN
2	ADD LIST	17.11.15	A.S.
1	ADD WIRE SPEC	10.11.14	J.D.
A	TOLERANCE CHANGE	29.1.13	A.S.



STF2818X0504-A

SCALE	FREE	APVD	S.H.	05.11.12
X	±0.5	CHKD		
1PL	±0.2	DRN	J.W.	05.11.12
2PL	±0.1	SIGNATURE	DATE	
ANGLE	±30'			

STEPPING MOTOR

DWG.NO

STF2818X0504-A