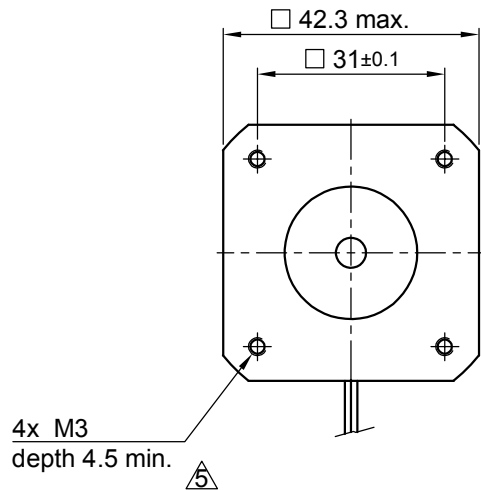
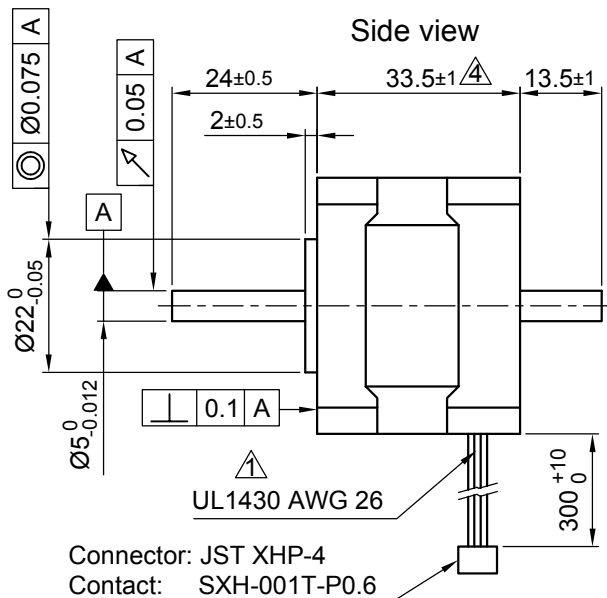


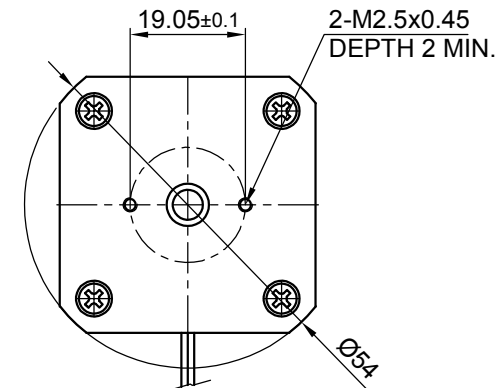
Front view and mounting



Side view

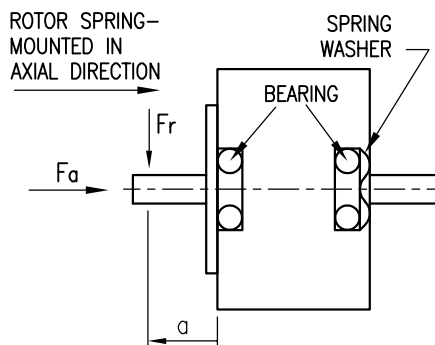


Rear view



CONNECTION	BIPOLAR
SPECIFICATION	
VOLTAGE (VDC)	2.79
AMPS/PHASE	1.33
RESISTANCE/PHASE (Ohms)@25°C	2.1±15%
INDUCTANCE/PHASE (mH) @1KHz	5.2±20%
HOLDING TORQUE (Nm) [lb-in]	0.22 [1.947]
STEP ANGLE (°)	0.9
STEP ACCURACY (NON-ACCUM)	±5%
ROTOR INERTIA (Kg-m <sup>2</sup> ) [lb-in <sup>2</sup> ]	3.5x10 <sup>-6</sup> [0.012]
WEIGHT (Kg) [lb]	0.22 [0.49]

PERMISSIBLE RADIAL+AXIAL FORCE



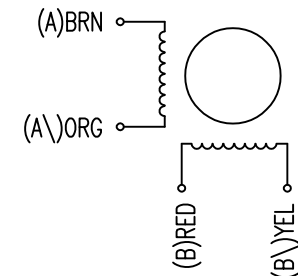
TEMPERATURE RISE: MAX.80°C (MOTOR STANDSTILL; FOR 2 PHASE ENERGIZED)	AXIAL-FORCE Fa (N)	Fa=7			
AMBIENT TEMPERATURE -10°~ 50°C [14°F ~ 122°F]	DISTANCE a (mm)	5	10	15	20
INSULATION RESISTANCE 100 MOhm (UNDER NORMAL TEMPERATURE AND HUMIDITY)	RADIAL-FORCE Fr (N)	58	36	26	20
INSULATION CLASS B 130° [266°F]			AXIAL	RADIAL	
DIELECTRIC STRENGTH 500VAC FOR 1 MIN. (BETWEEN THE MOTOR COILS AND THE MOTOR CASE)	SHAFT PLAY (mm)	0.075	0.025		
AMBIENT HUMIDITY MAX. 85% (NO CONDENSATION)	AT LOAD MAX: (N)	10	5.0		

TYPE OF CONNECTION (EXTERN)	MOTOR			
	BIPOLAR	CONNECTOR PIN NO.	LEADS	WINDING
A —	1	BRN	A	
A\ —	2	ORG	A\	
B —	3	RED	B	
B\ —	4	YEL	B\	

FULL STEP 2 PHASE-Ex., WHEN FACING MOUNTING END (X)

STEP	A	B	A\	B\	CCW	CW
1	+	+	-	-	↓	↑
2	-	+	+	-	↑	↓
3	-	-	+	+	↓	↑
4	+	-	-	+	↑	↓

WIRING DIAGRAM



5	change tol./revise draw.	11.05.17	A.S.
4	MOTOR LENGTH TOLERANCE	03.04.17	G.S.
3	VALUE OF BACK-EMF	20.06.11	LB
REV	DESCRIPTION	DATE	DRN



Surface specification DIN ISO 1302  
 General tolerances DIN ISO 2768- cH  
 Work piece edge DIN ISO 13715

APVD *S.Hα.* 26.02.07  
 CHKD  
 DRN *J.W.* 28.06.06  
 SIGNATURE DATE

**STEPPING MOTOR**

DWG.NO  
 ST4209S1404-B