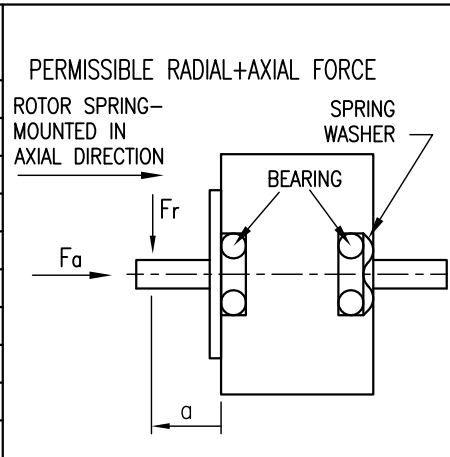
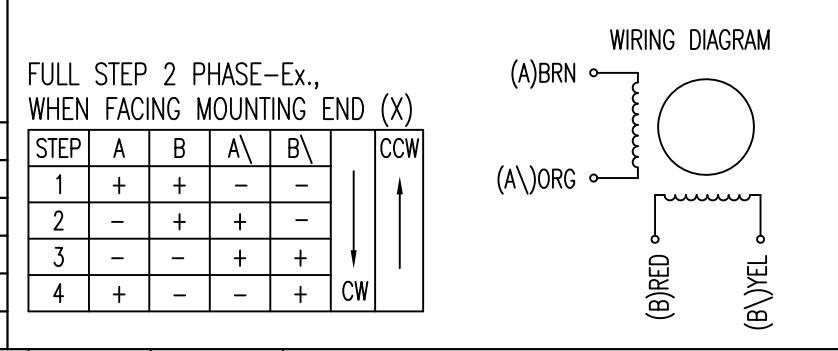


CONNECTION	BIPOLAR
SPECIFICATION	
VOLTAGE (VDC)	3.19
AMPS/PHASE	1.68
RESISTANCE/PHASE (Ohms)@25°C	1.9±15%
INDUCTANCE/PHASE (mH) @1KHz	4.0±20%
HOLDING TORQUE (Nm) [lb-in]	0.36 [3.186]
STEP ANGLE (°)	0.9
STEP ACCURACY (NON-ACCUM)	±5%
ROTOR INERTIA (Kg-m ²) [lb-in ²]	5.4x10 ⁻⁶ [1.84x10 ⁻²]
WEIGHT (Kg) [lb]	0.28 [0.62]



TYPE OF CONNECTION (EXTERN)	MOTOR			
	BIPOLAR	CONNECTOR PIN NO.	LEADS	WINDING
A —	1	BRN	A	
A\ —	2	ORG	A\	
B —	3	RED	B	
B\ —	4	YEL	B\	

TEMPERATURE RISE: MAX.80°C (MOTOR STANDSTILL; FOR 2 PHASE ENERGIZED)	AXIAL-FORCE Fa (N)	Fa=7
AMBIENT TEMPERATURE -10°~ 50°C [14°F ~ 122°F]	DISTANCE a (mm)	5 10 15 20
INSULATION RESISTANCE 100 MOhm (UNDER NORMAL TEMPERATURE AND HUMIDITY)	RADIAL-FORCE Fr (N)	58 36 26 20
INSULATION CLASS B 130° [266°F]		AXIAL RADIAL
DIELECTRIC STRENGTH 500VAC FOR 1 MIN. (BETWEEN THE MOTOR COILS AND THE MOTOR CASE)	SHAFT PLAY (mm)	0.075 0.025
AMBIENT HUMIDITY MAX. 85% (NO CONDENSATION)	AT LOAD MAX: (N)	10 5.0



4	change tol./revise draw.	16.05.17	A.S.		APVD	S.Ha.	26.02.07	STEPPING MOTOR		
3	change VOLT./RESIST.	09.07.15	A.S.		CHKD					
2	MOTOR LENGTH	09.11.09	J.W.	Surface specification DIN ISO 1302	General tolerances DIN ISO 2768- cH	Work piece edge DIN ISO 13715	DRN	J.W.	28.06.06	DWG.NO
REV	DESCRIPTION	DATE	DRN				SIGNATURE	DATE		ST4209M1704-B