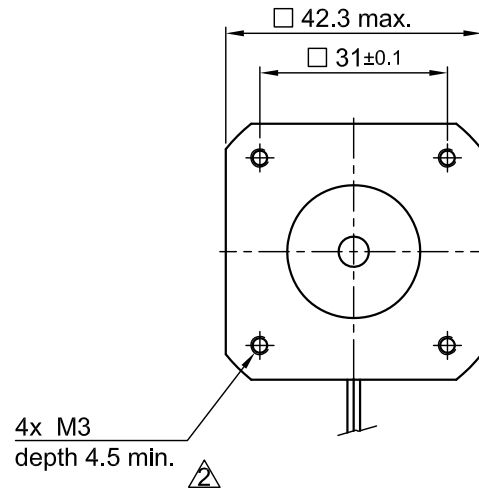
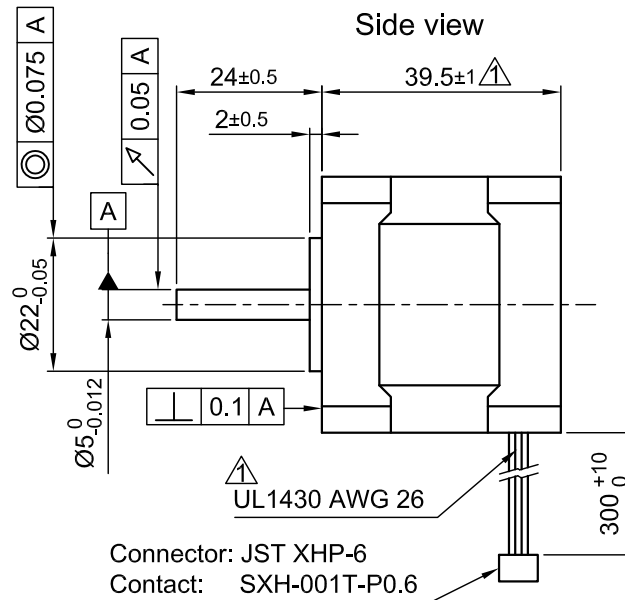


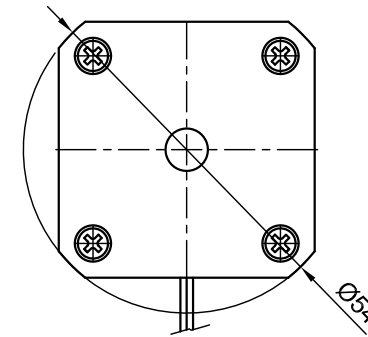
Front view and mounting



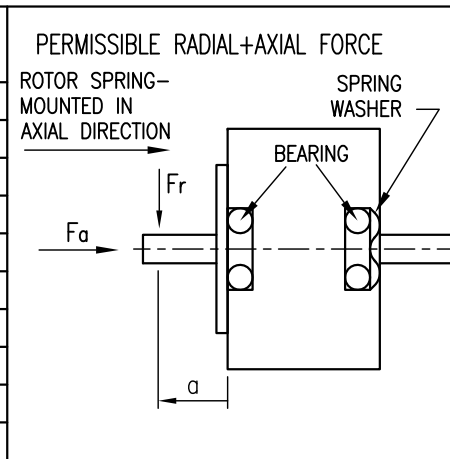
Side view



Rear view



SPECIFICATION	CONNECTION	
	UNIPOLAR OR BIPOLAR-1 WINDING	BIPOLAR SERIES
VOLTAGE (VDC)	3.96	5.61
AMPS/PHASE	1.2	0.85
RESISTANCE/PHASE (Ohms)@25°C	3.3±15%	6.6±15%
INDUCTANCE/PHASE (mH) @1KHz	4.0±20%	16±20%
HOLDING TORQUE (Nm) [lb-in]	0.25 [2.213]	0.354 [3.133]
STEP ANGLE (°)	0.9	
STEP ACCURACY (NON-ACCUM)	±5%	
ROTOR INERTIA (Kg-m ²) [lb-in ²]	5.4x10 ⁻⁶ [0.0184]	
WEIGHT (Kg) [lb]	0.28 [0.62]	

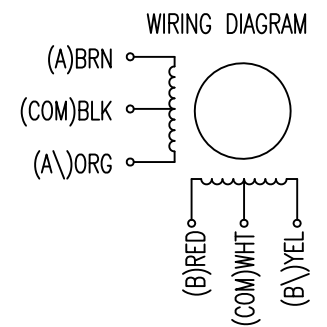


TYPE OF CONNECTION (EXTERN)	MOTOR		
	UNIPOLAR	BIPOLAR	CONNECTION
	1WINDING	SERIES	PIN NO. LEADS WINDING
A ---	A ---	A ---	1 BRN A
COM ---	COM ---	COM ---	5 BLK COM
A\ ---	A\ ---	A\ ---	3 ORG A\
B ---	B ---	B ---	2 RED B
COM ---	COM ---	COM ---	6 WHT COM
B\ ---	B\ ---	B\ ---	4 YEL B\

for >speed ←
for <speed ←

FULL STEP 2 PHASE-Ex.,
WHEN FACING MOUNTING END (X)

STEP	A	B	A\	B\	CCW	CW
1	+	+	-	-	↓	↑
2	-	+	+	-	↑	↓
3	-	-	+	+	↓	↑
4	+	-	-	+	↑	↓



TEMPERATURE RISE: MAX.80°C (MOTOR STANDSTILL; FOR 2 PHASE ENERGIZED)	AXIAL-FORCE Fa (N)		Fa=7		
AMBIENT TEMPERATURE -10°~ 50°C [14°F ~ 122°F]	DISTANCE a (mm)	5	10	15	20
INSULATION RESISTANCE 100 MOhm (UNDER NORMAL TEMPERATURE AND HUMIDITY)	RADIAL-FORCE Fr (N)	58	36	26	20
INSULATION CLASS B 130° [266°F]			AXIAL	RADIAL	
DIELECTRIC STRENGTH 500VAC FOR 1 MIN. (BETWEEN THE MOTOR COILS AND THE MOTOR CASE)	SHAFT PLAY (mm)		0.075	0.025	
AMBIENT HUMIDITY MAX. 85% (NO CONDENSATION)	AT LOAD MAX: (N)		10	5.0	

				APVD	S.Hα.	26.02.07	STEPPING MOTOR
				CHKD			
2	change tol./revise draw.	16.05.17	A.S.	DRN	J.W.	29.06.06	DWG.NO
1	MOTOR LENGTH+UL NO.	09.11.09	J.W.	SIGNATURE		DATE	ST4209M1206-A
REV	DESCRIPTION	DATE	DRN	Surface specification DIN ISO 1302	General tolerances DIN ISO 2768- cH	Work piece edge DIN ISO 13715	