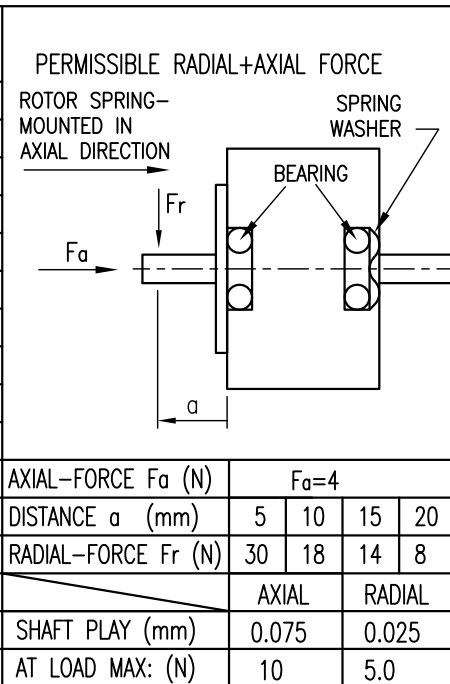


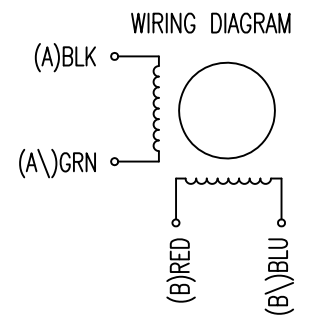
SPECIFICATION	BIPOLAR
VOLTAGE (VDC)	3.9
AMPS/PHASE	0.6
RESISTANCE/PHASE (Ohms)@25°C	6.5±15%
INDUCTANCE/PHASE (mH) @1KHz	1.7±20%
HOLDING TORQUE (Nm) [lb-in]	0.018 [0.159]
DETENT TORQUE (Nm) [lb-in]	9x10 ⁻⁴ [7.95x10 ⁻³]
STEP ANGLE (°)	1.8
ACCURACY(NON-ACCUM)	±5%
ROTOR INERTIA (Kg-m ²) [lb-in ²]	2.0x10 ⁻⁷ [6.831x10 ⁻⁴]
WEIGHT (Kg) [lb]	0.06 [0.132]
TEMPERATURE RISE: MAX.80°C (MOTOR STANDSTILL; FOR 2 PHASE ENERGIZED)	
AMBIENT TEMPERATURE -10°~ 50°C [14°F ~ 122°F]	
INSULATION RESISTANCE 100 MOhm (UNDER NORMAL TEMPERATURE AND HUMIDITY)	
INSULATION CLASS B 130° [266°F]	
DIELECTRIC STRENGTH 500VAC FOR 1 MIN. (BETWEEN THE MOTOR COILS AND THE MOTOR CASE)	
AMBIENT HUMIDITY MAX. 85% (NO CONDENSATION)	



TYPE OF CONNECTION (EXTERN)	MOTOR			
	BIPOLAR	CONNECTOR PIN NO.	LEADS	WINDING
A —	1	BLK	A	
A\ —	2	GRN	A\	
B —	3	RED	B	
B\ —	4	BLU	B\	

FULL STEP 2 PHASE-Ex., WHEN FACING MOUNTING END (X)

STEP	A	B	A\	B\	CCW	CW
1	+	+	-	-		
2	-	+	+	-		
3	-	-	+	+		
4	+	-	-	+		



6	CHANGE TOLERANCE Ø15/REWORK DRAW	24.02.16	A.S.	 Nanotec PLUG & DRIVE	APVD	S.K.	02.06.06	STEPPING MOTOR DWG.NO ST2018S0604-B	
5	new deep M1.6	25.08.15	A.S.		CHKD				
4	CHANGE TOLERANCE+DEL. BACK-EMF	06.12.13	J.D.	Surface specification DIN ISO 1302	General tolerances DIN ISO 2768- cH	Work piece edge DIN ISO 13715	DRN	J.W.	02.06.06
REV	DESCRIPTION	DATE	DRN				SIGNATURE	DATE	