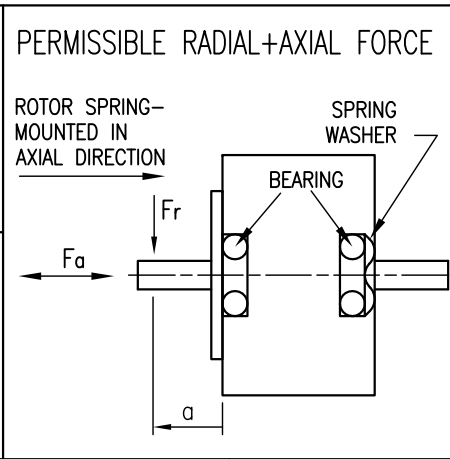
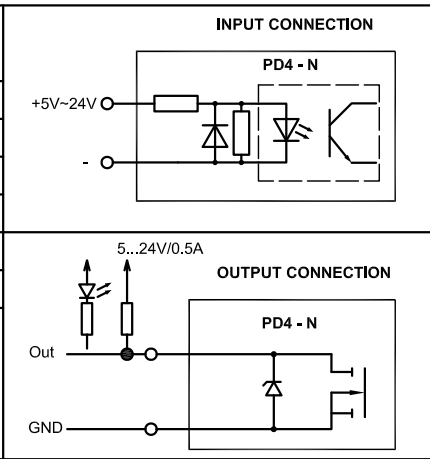


SPECIFICATION	CONNECTION	BIPOLAR PARALLEL
SUPPLY VOLTAGE (VDC)		12 TO 48
AMPS/PHASE		* UP TO 4.8 (100%=3.2)
HOLDING TORQUE (Nm) [lb-in]		3.54 [31.29]
DETENT TORQUE (Nm) [lb-in]		0.075 [0.664]
STEP ANGLE (°) ± ACCURACY		* 1.8 TO MICROSTEP
WEIGHT (Kg) [lb]		1.48 [3.26]
* ADJUSTABLE WITH NANOPRO.		



M12 CONNECTOR 17 POLE		M12 CONNECTOR 5 POLE	
Funktion	Pin No.	Funktion	Pin No.
OUTPUT 1	1	12-48 V	1
OUTPUT 2	2	12-48 V	2
OUTPUT 3	3	POWER GND	3
ANALOG INPUT	4	POWER GND	4
+UB EXTERN	5	N.C.	5
GND (W001)	6		
CAN-H	7		
CAN-L	10		
N.C.	9		
N.C.	8		
INPUT 1	11		
INPUT 2	12		
INPUT 3	13		
INPUT 4	14		
INPUT 5	15		
INPUT 6	16		
NC	17		

OVERTEMPERATURE PROTECTION (ELECTRONICS): 80°C		AXIAL-FORCE Fa (N)	Fa=10			
AMBIENT TEMPERATURE -10°~ 40°C [14°F ~ 104°F] (HIGHER TEMPERATURE REDUCES DUTY CYCLE)		DISTANCE a (mm)	5	10	15	20
INSULATION RESISTANCE 100 MOhm (UNDER NORMAL TEMPERATURE AND HUMIDITY)		RADIAL-FORCE Fr (N)	130	90	70	52
INSULATION CLASS B 130° [266°F]				AXIAL	RADIAL	
DIELECTRIC STRENGTH 500VAC FOR 1 MIN. (BETWEEN THE MOTOR COILS AND THE MOTOR CASE)		SHAFT PLAY (mm)	0.08		0.02	
AMBIENT HUMIDITY MAX. 85% (NO CONDENSATION)		AT LOAD MAX: (N)	4.5		4.5	

3	CHANGE LENGTH	13.12.12	A.S.
2	LENGTH OF BASIC MOTOR REMOVED	24.05.11.	J.W.
1	PIN ASSIGNMENT	13.01.11.	J.W.
REV	DESCRIPTION	DATE	APVD

Nanotec
 PLUG & DRIVE
 PD4-N6018L4204-IP-3

SCALE FREE	APVD	G.S.	15.12.10
X ±0.5	CHKD		
1PL ±0.2	DRN	J.W.	15.12.10
2PL ±0.1	SIGNATURE		DATE
ANGLE ±30'			

PLUG&DRIVE MOTOR
 DWG.NO
 PD4-N6018L4204-IP-3