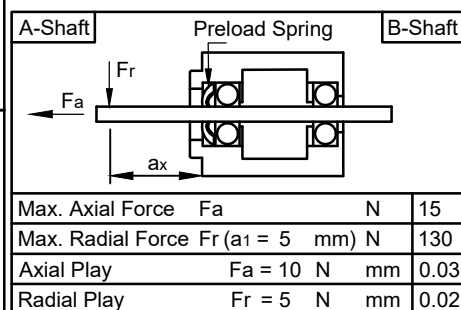
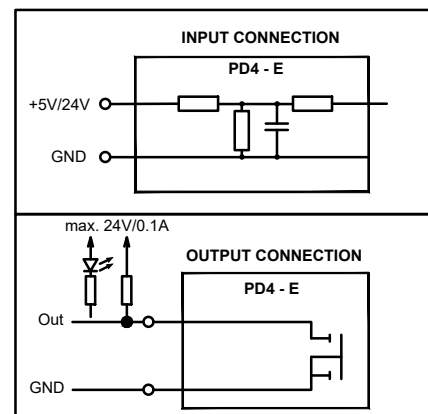


X1		CANopen IN	
		M12 / 5-Pole / A-Coding / male	
X2		CANopen OUT	
		M12 / 5-Pole / A-Coding / female	
Pin No.		Function	
1		CAN_SHLD	
2		+UB Logic (24V)	
3		GND	
4		CAN+	
5		CAN-	
cable shield on housing			
X3		POWER	
		M12 / 5-Pole / B-Coding / male	
Pin No.		Function	
1		+UB	
2		+UB	
3		GND	
4		GND	
5		N.C.	
cable shield on housing			

X4		IO	
		M12 / 12-Pole / A-Coding / male	
Pin No.		Function	
1		GND	
2		Input 1 (+5V/+24V)	
3		Input 2 (+5V/+24V)	
4		Input 3 (+5V/+24V)	
5		Input 4 (+5V/+24V)	
6		Input 5 (+5V/+24V)	
7		Input 6 (+5V/+24V)	
8		Analog Input (0-10V/0-20mA)	
9		Output 1 (open drain)	
10		Output 2 (open drain)	
11		+5V Voltage Supply (max. 100mA)	
12		+UB Logic (24V)	
cable shield on housing			

MOTOR SPECIFICATION			
No. of Poles		6	
Rated Voltage	V DC	48	
Operating Voltage - Min. / Max.	V DC	12 / 48	
Current - Rated / Peak	A	6 / 18	
Torque - Rated / Peak	Nm	0.6 / 1.8	
Torque Constant	Nm/A	0.1	
Power - Rated / Peak	W	220 / 660	
Speed - No Load / Rated	±10% rpm	4500 / 3500	
Operating Voltage Encoder	V DC	5	
Encoder Resolution	cpr	1024	
Encoder Resolution (cpr with quadrature)	ppr	4096	
Encoder Signal Type		incremental	
Rotor Inertia	kg m ²	17.3 x10 ⁻⁶	



GENERAL MOTOR SPECIFICATION		
Interface		CANOPEN
Ambient Temperature	°C	-10 ... 40
Max. Ambient Humidity (non condensing)	%	85
Insulation Class		B
Insulation Resistance	MΩ	100
Dielectric Strength (for 1 min - coil to case)	V AC	500
Protection Class (except shaft outlet)		IP65

ISO 8015	ISO 1302	ISO 2768 cK	ISO 13715	Weight: ±10% 1.4 kg	
			Date	Name	
			Drawn	04.12.2017	Import
			Reviewed	11.01.2018	Wang_X
			Released	11.01.2018	Wang_X
01	additional dimension	Reith_S	15.02.2024	<div style="display: flex; justify-content: space-between;"> 09000009 A4 Page 1 </div>	
REV	Rev. Text	Name	Date		
				State: Released	Rev: 01
				CONFIDENTIAL	

PD4-EB59CD-E-65-2