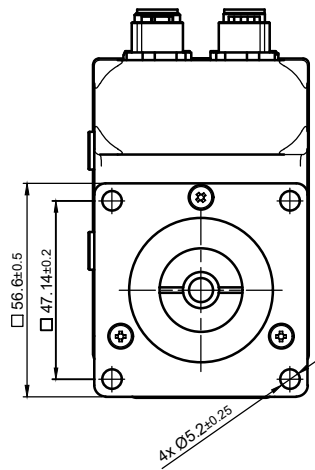
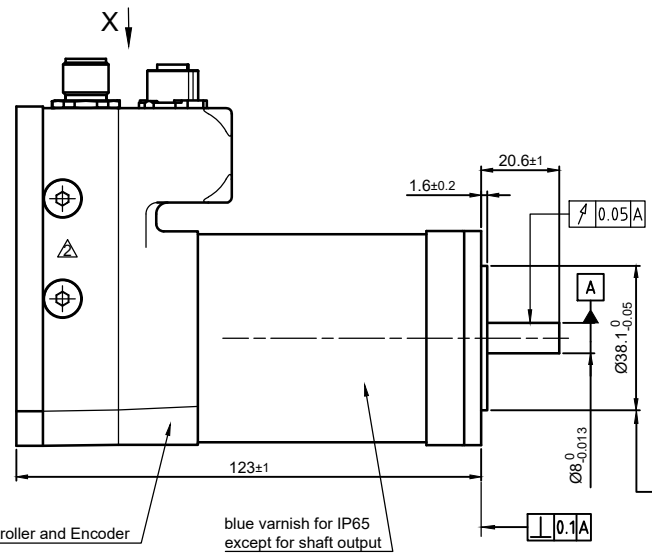


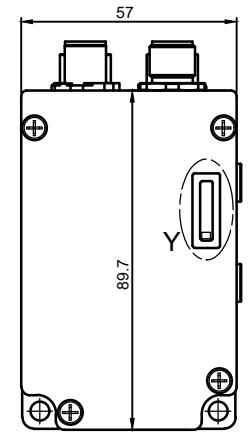
Front view and mounting



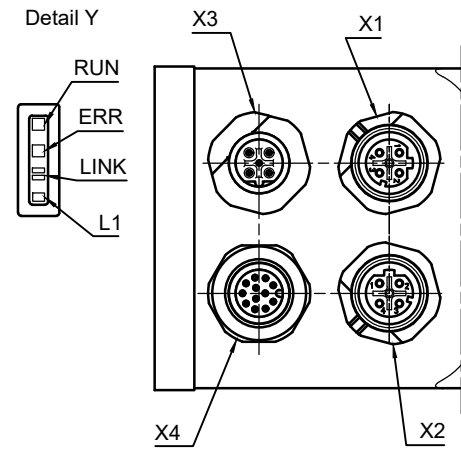
Side view



Rear view



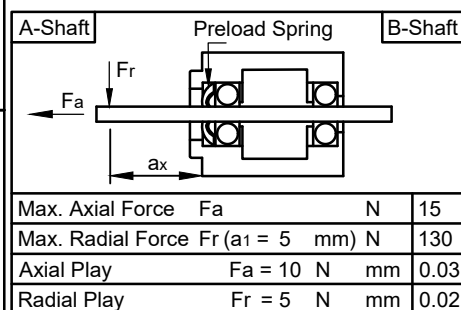
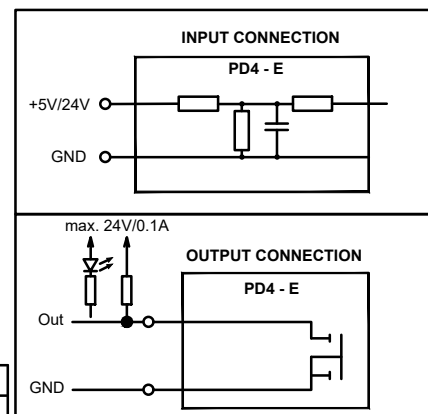
View X (Detail)



Integrated controller and Encoder
blue varnish for IP65 except for shaft output

X1 EtherCAT IN	
M12/ 4-Pole / D-Coding / female	
X2 EtherCAT OUT	
M12/ 4-Pole / D-Coding / female	
Pin No.	Function
1	TD+
2	RD+
3	TD-
4	RD-
X3 POWER	
M12 / 5-Pole /B-Coding / male	
Pin No.	Function
1	+UB (12-48V)
2	+UB (12-48V)
3	GND
4	GND
5	N.C.
X4 IO	
M12 / 12-Pole / A-Coding / male	
Pin No.	Function
1	GND
2	Input 1 (+5V/+24V)
3	Input 2 (+5V/+24V)
4	Input 3 (+5V/+24V)
5	Input 4 (+5V/+24V)
6	Input 5 (+5V/+24V)
7	Input 6 (+5V/+24V)
8	Analog Input (0-10V/0-20mA)
9	Output 1 (open drain)
10	Output 2 (open drain)
11	+5V Voltage Supply (max. 100mA)
12	+UB Logic (24V)

MOTOR SPECIFICATION			
No. of Poles	6		
Rated Voltage	V DC	48	
Operating Voltage - Min. / Max.	V DC	12	48
Current - Rated / Peak	A	6	18
Torque - Rated / Peak	Nm	0.6	1.8
Torque Constant	Nm/A	0.1	
Power - Rated / Peak	W	220	660
Speed - No Load / Rated	rpm	4500	3500
Singleturn Encoder Resolution	bit	12	
Rotor Inertia	kg m ²	17.3	x10 ⁻⁶



GENERAL MOTOR SPECIFICATION			
Interface	ETHERCAT		
Ambient Temperature	°C	Min. -10	Max. 40
Switch-off Temperature	°C	75	
Max. Ambient Humidity (non condensing)	%	85	
Insulation Class	B		
Insulation Resistance	MΩ	100	
Dielectric Strength (for 1 min - coil to case)	V AC	500	
Protection Class (except shaft outlet)	IP65		

ISO 8015	ISO 1302	ISO 2768 cK	ISO 13715
02	unification PD4 -GM	Schneid_A	25.03.2021
01	change weight	Schneid_A	21.01.2021
REV	Rev. Text	Name	Date

Date		Name		<p style="text-align: center; font-size: 24px;">PD4-EB59CD-E-65-1</p>
Drawn	04.12.2017	Import		
Reviewed	11.01.2018	Wang_X		
Released	11.01.2018	Wang_X		<p style="text-align: center; font-size: 24px;">09000008</p>
State: Released		Rev: 02	CONFIDENTIAL	

