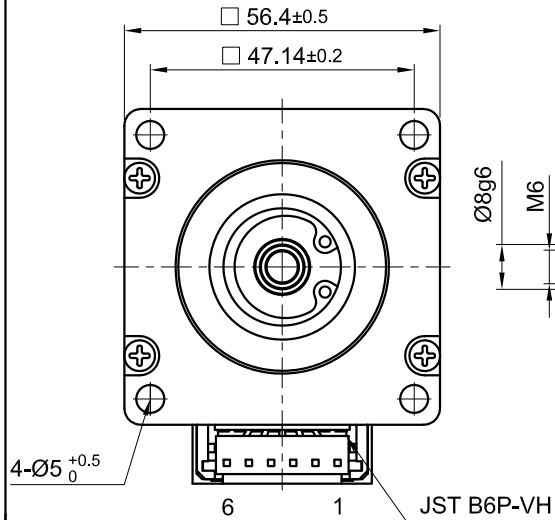
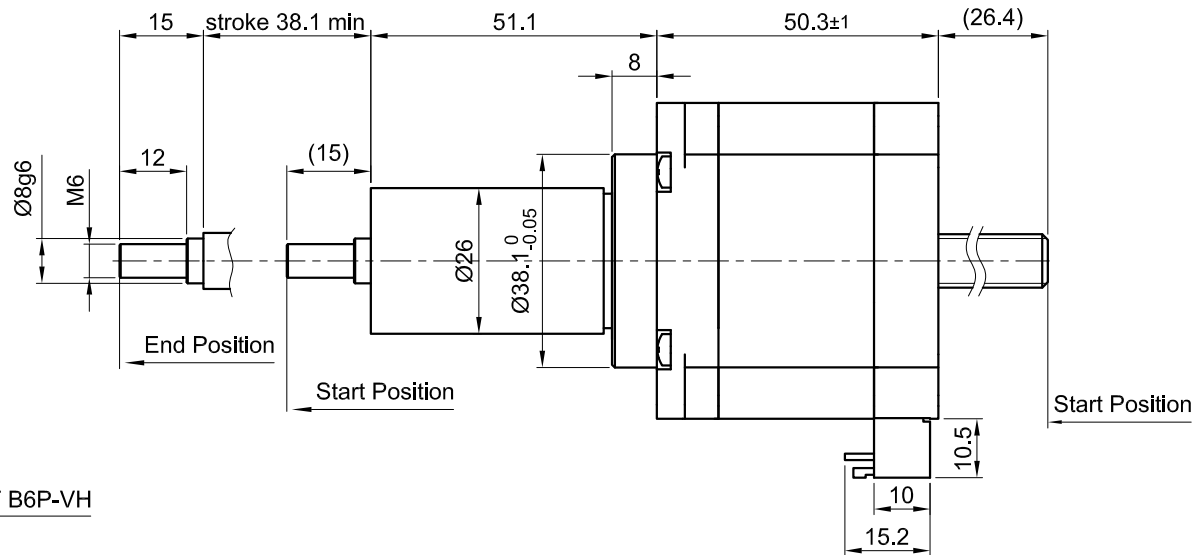


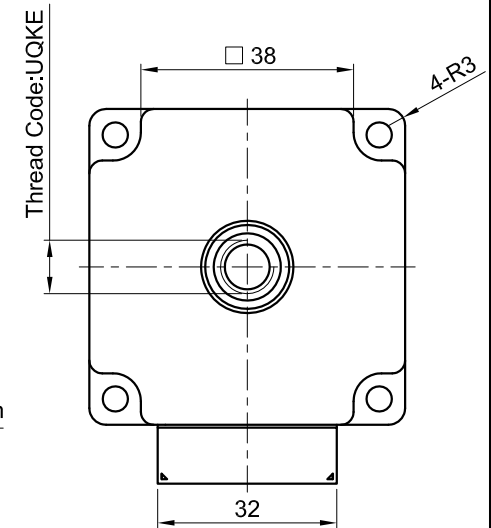
Front view and mounting



Side view



Rear view



| SPECIFICATION | CONNECTION | BIPOLAR |
|--|------------|---------------|
| AMPS/PHASE | | 2.0 |
| RESISTANCE/PHASE (Ohms)@25°C | | 1.5±15% |
| INDUCTANCE/PHASE (mH) @1KHz | | 4.3±20% |
| THREAD DIAMETER (mm) [in] | | 9.525 [0.375] |
| THREAD LEAD(mm) [in] | | 10.16 [0.4] |
| THRUST (N) | | TDM |
| RESOLUTION (mm/STEP) | | 0.0508 |
| MAX. SPEED (mm/sec.) AT 24V | | TDM |
| WEIGHT (Kg) [lb] | | 0.75 [1.65] |
| TEMPERATURE RISE: MAX.80°C (MOTOR STANDSTILL; FOR 2 PHASE ENERGIZED) | | |
| AMBIENT TEMPERATURE -10~ 50°C [14°F ~ 122°F] | | |
| INSULATION RESISTANCE 100 MOhm (UNDER NORMAL TEMPERATURE AND HUMIDITY) | | |
| INSULATION CLASS B 130° [266°F] | | |
| DIELECTRIC STRENGTH 500VAC FOR 1 MIN. (BETWEEN THE MOTOR COILS AND THE MOTOR CASE) | | |
| AMBIENT HUMIDITY MAX. 85% (NO CONDENSATION) | | |

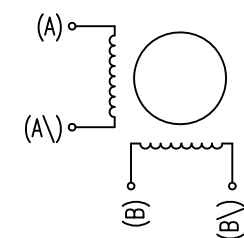
Please regard the application note at www.nanotec.com for further informations.

| MOTOR | |
|-------------------|---------|
| CONNECTOR PIN NO. | WINDING |
| 1 | A |
| 3 | A\ |
| 4 | B |
| 6 | B\ |

FULL STEP 2 PHASE-Ex.,
WHEN FACING MOUNTING END (X)

| STEP | A | B | A\ | B\ | CCW | CW |
|------|---|---|----|----|-----|----|
| 1 | + | + | - | - | ↓ | ↑ |
| 2 | - | + | + | - | ↓ | ↑ |
| 3 | - | - | + | + | ↓ | ↑ |
| 4 | + | - | - | + | ↓ | ↑ |

WIRING DIAGRAM



| | | | | Nanotec [®] PLUG & DRIVE | | | APVD | P.R. | 16.05.19 | LINEAR ACTUATOR DWG.NO LGA561S20-A-UQKE-038 |
|-----|-------------|----------|-----|---|---------------------------------------|----------------------------------|-----------|------|----------|--|
| | | | | | | | CHKD | GYQ | 16.05.19 | |
| A | - | 30.10.19 | X T | Surface specification DIN ISO 1302 | General tolerances DIN ISO 2768-cH | Work piece edge DIN ISO 13715 | DRN | X T | 16.05.19 | |
| REV | DESCRIPTION | DATE | DRN | | | | SIGNATURE | | DATE | |