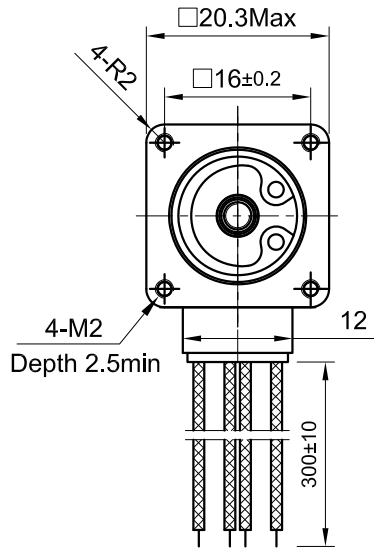
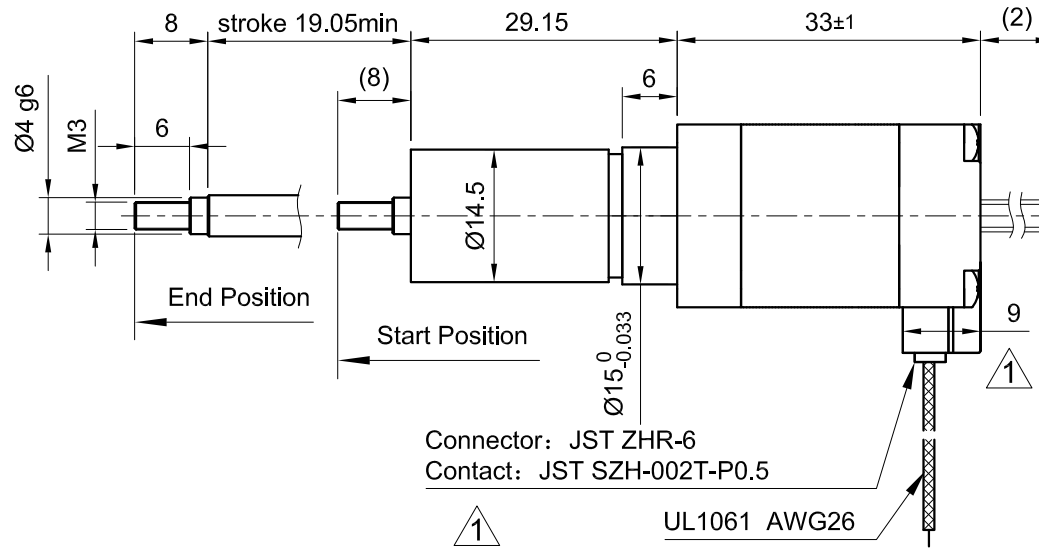


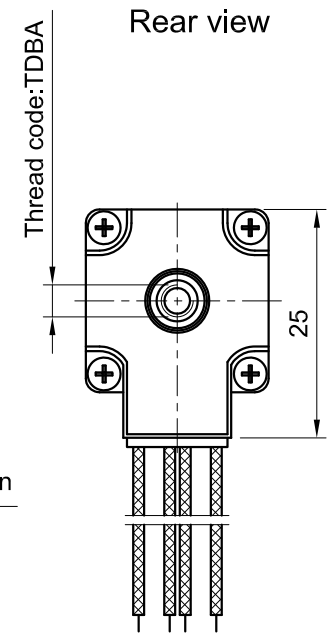
Front view and mounting



Side view



Rear view



SPECIFICATION	CONNECTION	BIPOLAR
AMPS/PHASE		0.6
RESISTANCE/PHASE (Ohms)@25°C		6.4±10%
INDUCTANCE/PHASE (mH) @1KHz		2.6±20%
THREAD DIAMETER (mm) [in]		3.5 [0.138] ①
THREAD LEAD (mm) [in]		1 [0.0394]
THRUST (N)		46
RESOLUTION (mm/STEP)		0.005
MAX. SPEED (mm/sec.) AT 24V ①		40
WEIGHT (Kg) [lb]		0.066 [0.145]
TEMPERATURE RISE: MAX.80°C (MOTOR STANDSTILL; FOR 2 PHASE ENERGIZED)		
AMBIENT TEMPERATURE -10~ 50°C [14°F ~ 122°F]		
INSULATION RESISTANCE 100 MOhm (UNDER NORMAL TEMPERATURE AND HUMIDITY)		
INSULATION CLASS B 130° [266°F]		
DIELECTRIC STRENGTH 500VAC FOR 1 MIN. (BETWEEN THE MOTOR COILS AND THE MOTOR CASE)		
AMBIENT HUMIDITY MAX. 85% (NO CONDENSATION)		

Please regard the application note at www.nanotec.com for further informations.

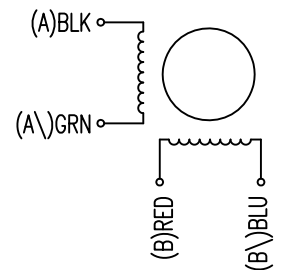


TYPE OF CONNECTION (EXTERN)	MOTOR	
	LEADS	WINDING
BIPOLAR	BLK	A
A —	GRN	A \
B —	RED	B
B \ —	BLU	B \

WIRING DIAGRAM

FULL STEP 2 PHASE-Ex., WHEN FACING MOUNTING END (X)

STEP	A	B	A \	B \	CCW	CW
1	+	+	-	-	↓	↑
2	-	+	+	-	↓	↑
3	-	-	+	+	↓	↑
4	+	-	-	+	↓	↑



REV	DESCRIPTION	DATE	DRN	Surface specification DIN ISO 1302	General tolerances DIN ISO 2768-cH	Work piece edge DIN ISO 13715	APVD	P.R.	20.03.18	LINEAR ACTUATOR
2	Remove shaft play adjustable	11.03.19	X T				CHKD	GYQ	20.03.18	
1	-	09.10.18	X T				DRN	X T	20.03.18	
A	-	02.07.18	X T				SIGNATURE		DATE	DWG.NO
										LGA201S06-A-TDBA-019