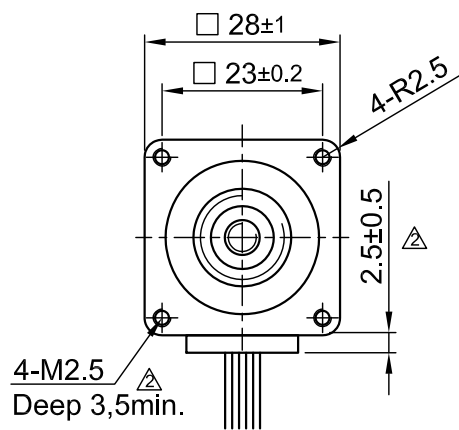
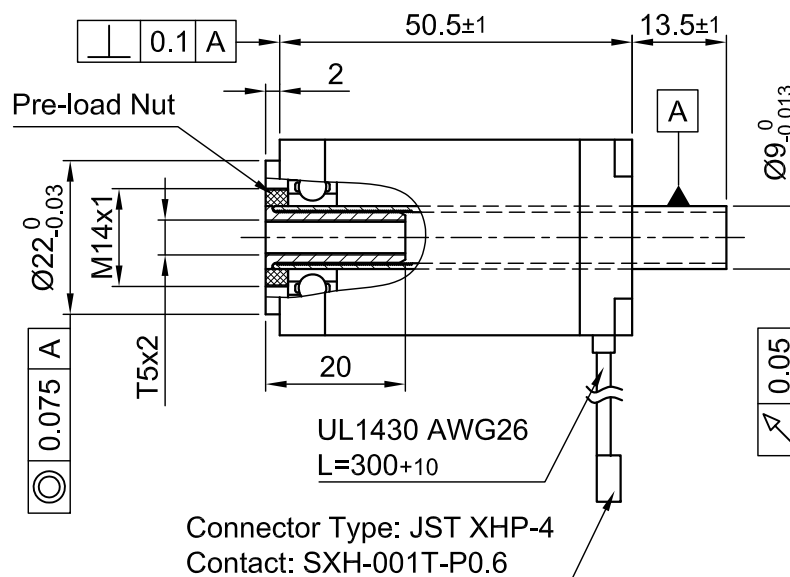


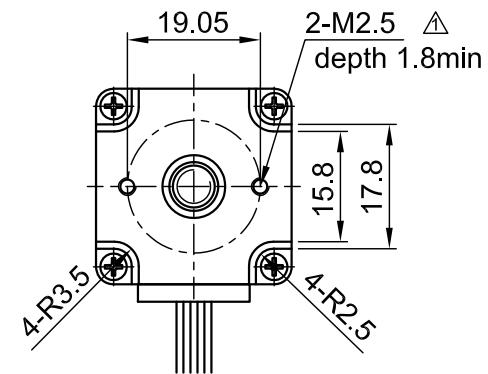
Front view and mounting



Side view



Rear view



SPECIFICATION	
AMPS/PHASE	0.67
RESISTANCE/PHASE (Ohms)@25°C	9.2±15%
INDUCTANCE/PHASE (mH) @1KHz	7.2±20%
SPINDLE PITCH (mm) [in]	2 [0.0787]
THRUST (N) [lbf]	115[11.73] $\Delta$ $\Delta$
RESOLUTION (mm/STEP)	0.01
STATIC THRUST (N) [lbf] (NO CURRENT)	>75N[7.65] $\Delta$ $\Delta$
MAX. SPEED (mm/sec.) AT 48V	20 $\Delta$ $\Delta$
MAX. SPEED WITH MAX. THRUST (mm/sec.) AT 48V	10 $\Delta$ $\Delta$
WEIGHT (Kg) [lb]	0.19 [0.419]
TEMPERATURE RISE: MAX.80°C (MOTOR STANDSTILL; FOR 2 PHASE ENERGIZED)	
AMBIENT TEMPERATURE -10°~ 50°C [14°F ~ 122°F]	
INSULATION RESISTANCE 100 MOhm (UNDER NORMAL TEMPERATURE AND HUMIDITY)	
INSULATION CLASS B 130° [266°F]	
DIELECTRIC STRENGTH 500VAC FOR 1 MIN. (BETWEEN THE MOTOR COILS AND THE MOTOR CASE)	
AMBIENT HUMIDITY MAX. 85% (NO CONDENSATION)	

Please regard the application note at [www.nanotec.com](http://www.nanotec.com) for further informations.

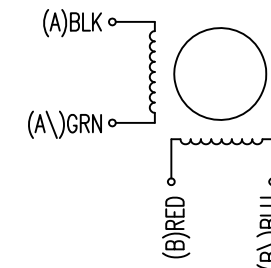
Shaft play is adjustable at the motor.

PIN NO	TYPE OF CONNECTION (EXTERN)	MOTOR	
		LEADS	WINDING
1	A —	BLK	A
2	A\ —	GRN	A\ B
3	B —	RED	B
4	B\ —	BLU	B\ A

WIRING DIAGRAM

FULL STEP 2 PHASE-Ex., WHEN FACING MOUNTING END (X)

STEP	A	B	A\ B	B\ A	CCW	CW
1	+	+	-	-	↓	↑
2	-	+	+	-	↓	↑
3	-	-	+	+	↓	↑
4	+	-	-	+	↓	↑



02	NEW TOLERANCE	07.03.16	B.L.
01	ADD TOLERANCE	14.08.15	B.L.
B	UPDT.TECH.DATA	15.09.14	B.L.
REV	DESCRIPTION	DATE	APVD



L2818L0604-T5x2

SCALE FREE	APVD	GS	28.03.13
X ±0.5	CHKD	GYQ	28.03.13
1PL ±0.2	DRN	LB	28.03.13
2PL ±0.1	SIGNATURE		DATE
ANGLE ±30'			

LINEAR ACTUATOR

DWG.NO

L2818L0604-T5x2