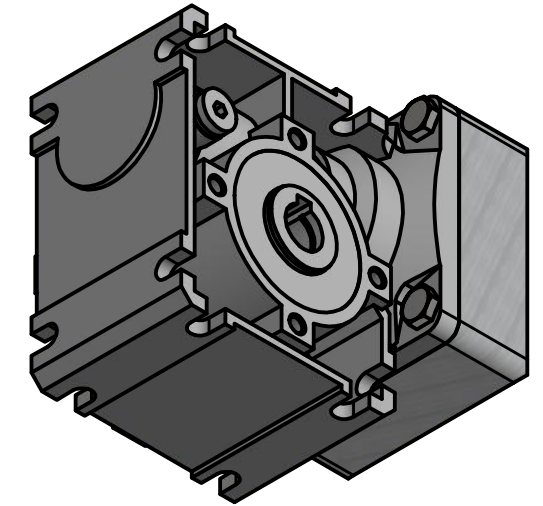
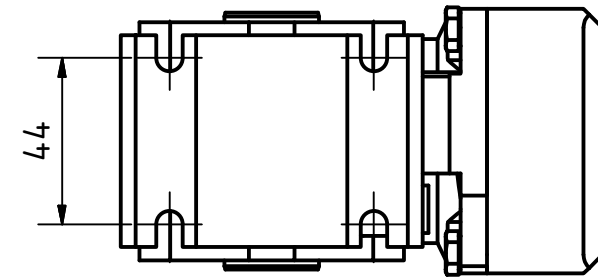
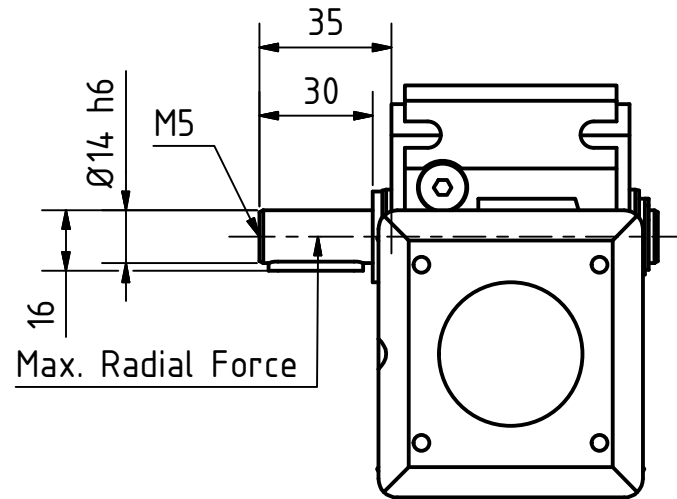
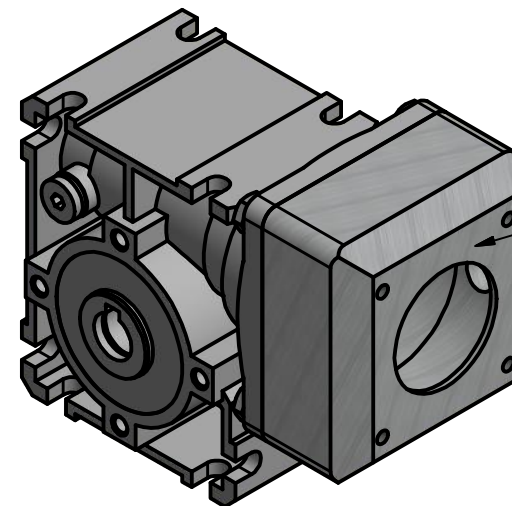
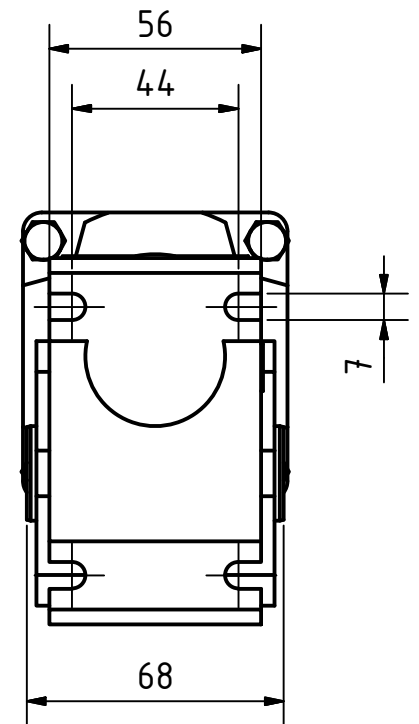
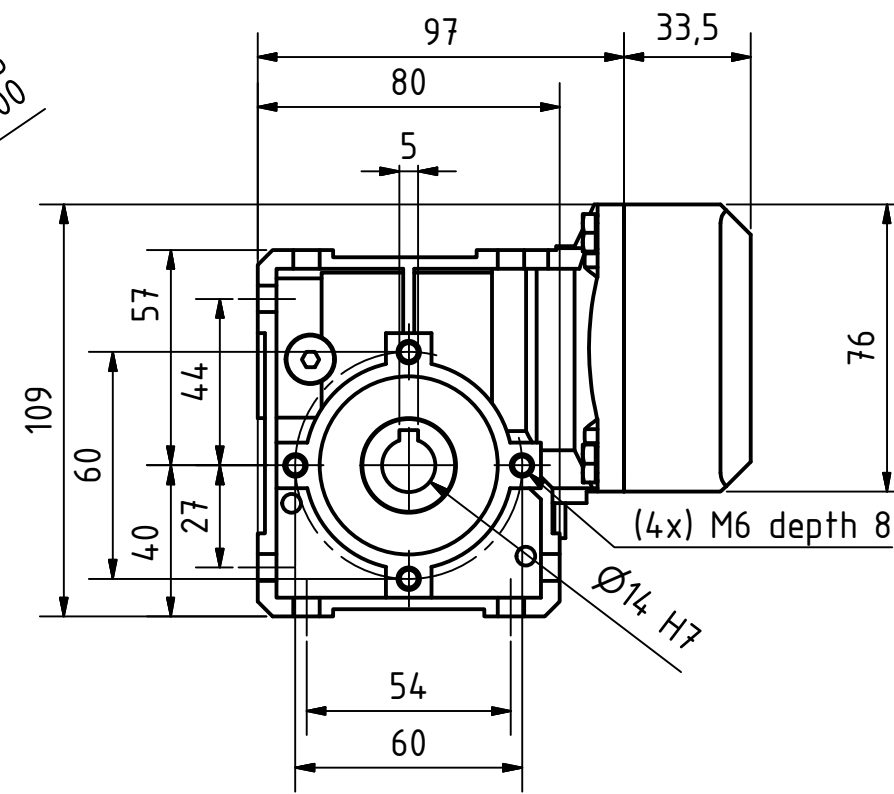
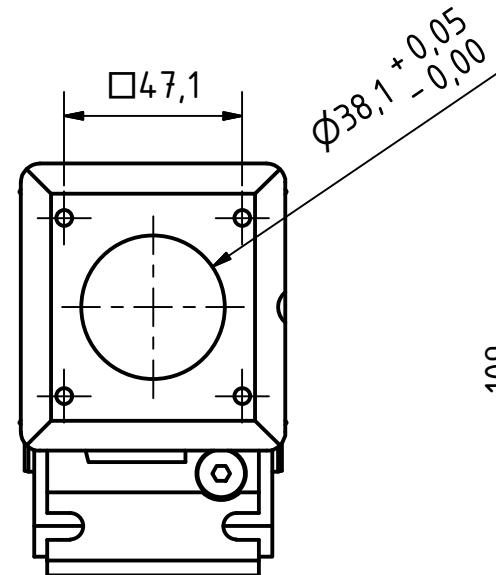
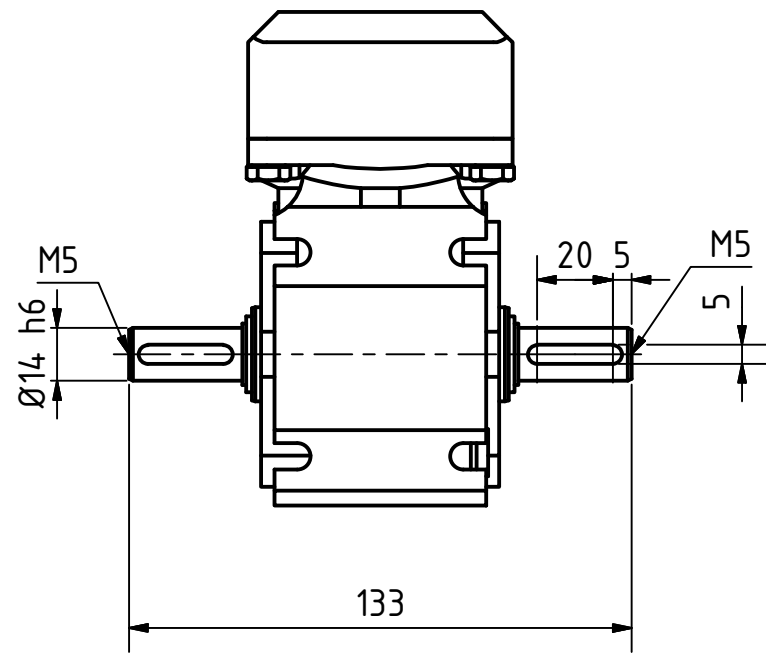


Single shaft MG-EW-GSGE60 (included)  
Shaft direction can be switched



Double Shaft MG-DW-GSGE60 (not included)  
Needs to be purchased separately



Gearbox flange:  
GZ-60-SGE-1

		Reduction Ratio			
		50	25	15	5
Nominal Output Torque	Nm	34	35,8	25,3	11
Nominal Input Speed	rpm	250	250	250	250
Max. Input Speed	rpm	1400	1400	1400	1400
Efficiency	%	36	54	63	82
Lifetime	h	10000	10000	10000	10000
Max. Axial Force	N	1800	1800	1800	1800
Max. Radial Force (single shaft center)	N	1800	1800	1600	1100
Max. Radial Force (hollow shaft center)	N	3600	3600	3200	2200

ISO 8015	ISO 1302	ISO 2768-1 ck	ISO 13715	Weight: 1,7 kg	
			Date	Name	
			Drawn	08.08.2017	knoll_j
			Checked	06.09.2017	seimel_g
1	updated specification	26.10.2017	knoll_j	GSGE60- Nema23 Worm Gear	
REV	Änderung	Datum	Name		
				GSGE60	
				1	
				A3	

