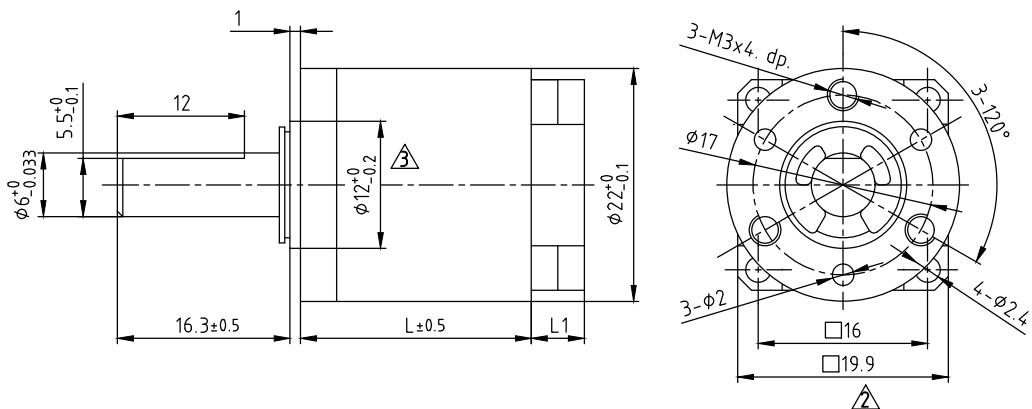
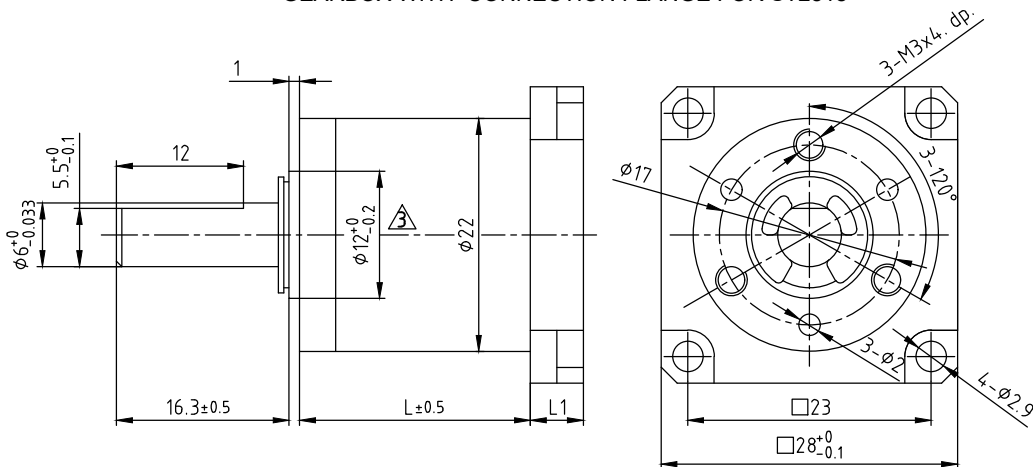


GEARBOX WITH CONNECTION FLANGE FOR ST2018



GEARBOX WITH CONNECTION FLANGE FOR ST2818



FLANGE SPECIFICATION

MOTOR	L1 (mm)
ST20.., ST28..	5.0
DB22 \triangle	\triangle 1.5 (Original round flange)

GEARBOXES SPECIFICATION

RATIO	RATED TORQUE (Nm) max.	MAX. TORQUE (Nm) max.	EFFICIENCY (%)	RADIAL PLAY OF SHAFT (mm) \triangle	THRUST PLAY OF SHAFT (mm) \triangle	L (mm)	WEIGHT (kg)	SHAFT AXIAL LOAD (N)	RADIAL LOAD (10mm FROM FLANGE) (N)
1/5	0.2	0.6	80%	$\leq 0.08 \triangle$	≤ 0.3	\triangle 21.8	0.046	7	10
1/20, 1/25	0.3	0.9	70%			\triangle 28.0	0.051		
1/90	0.4	1.2	60%			\triangle 34.2	0.058		

ISO 8015		ISO 1302		ISO 2768 cK		ISO 13715		Material: -		Weight: - kg	
				Date		Name		GPLL22			
				Drawn		Schneid_A					
				Checked		####					
				Approved		####					
04								12200010		-	
03	change flange tol.									A4-Q	
REV	Rev. Text	Name	Rel. Date			State: Released		Rev: 04		P	