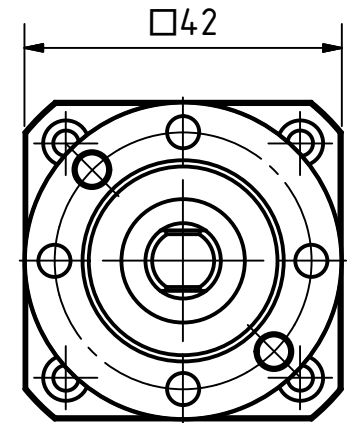
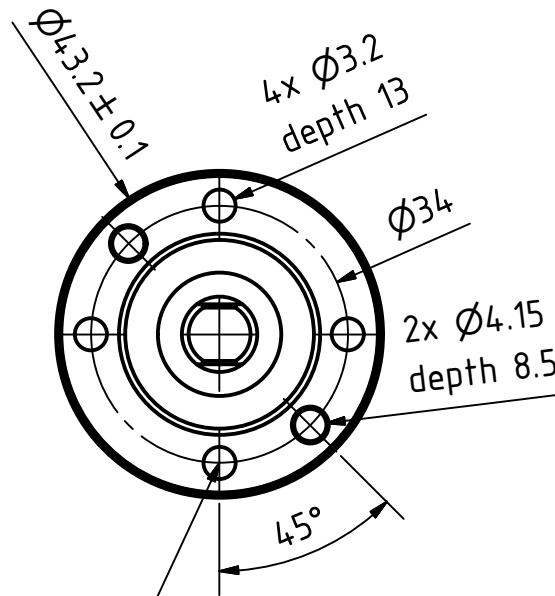
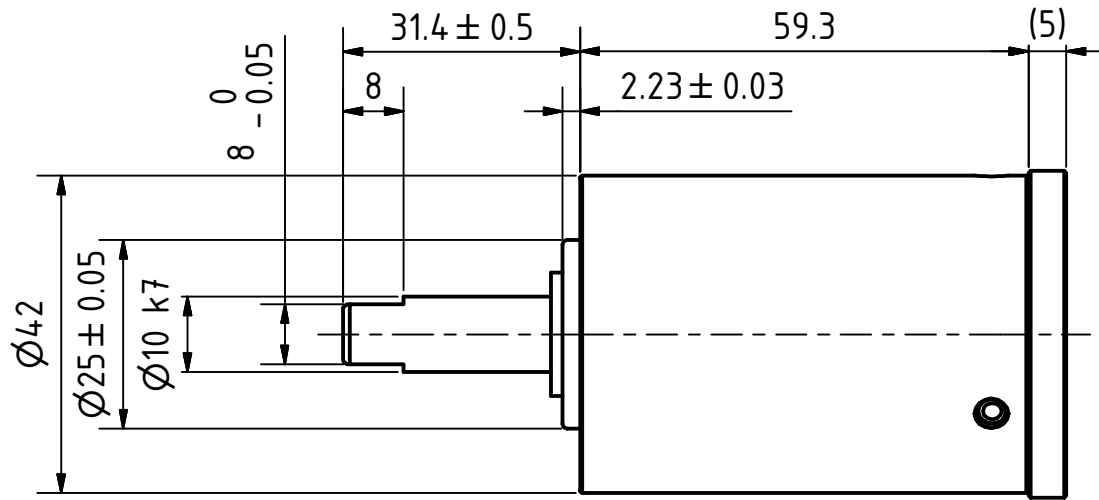
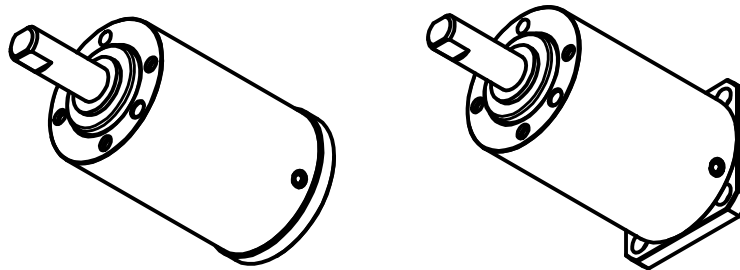


GPLK42-56 for DF45

GPLK42-56 for NEMA 17



use EJOT Delta PT screw
WN5452 40x...
Tmax. = 1.6 +0.2Nm



GEARBOX SPECIFICATION

Reduction Ratio		56.25
No. of Stages		2
Rated Output Torque	Nm	5.0
Max. Output Torque	Nm	10.0
Max. Input Speed	rpm	5000
Backlash	°	1.5
Efficiency	%	70
Lifetime	h	5000
Max. Axial Force	N	40
Max. Radial Force (shaft middle)	N	40
Ambient Temperature	°C	-15 ... 40

ISO 8015	ISO 1302	ISO 2768 cK	ISO 13715	Weight: 0.175 kg
			Date	Name
			Drawn 18.10.2018	Schneid_A
			Checked 23.10.2018	Naubert_A
			Approved 23.10.2018	Naubert_A
				12200028
				Scale: 1 : 1
REV	Rev. Text	Name	Rel. Date	State: Released

GPLK42-56

A4

