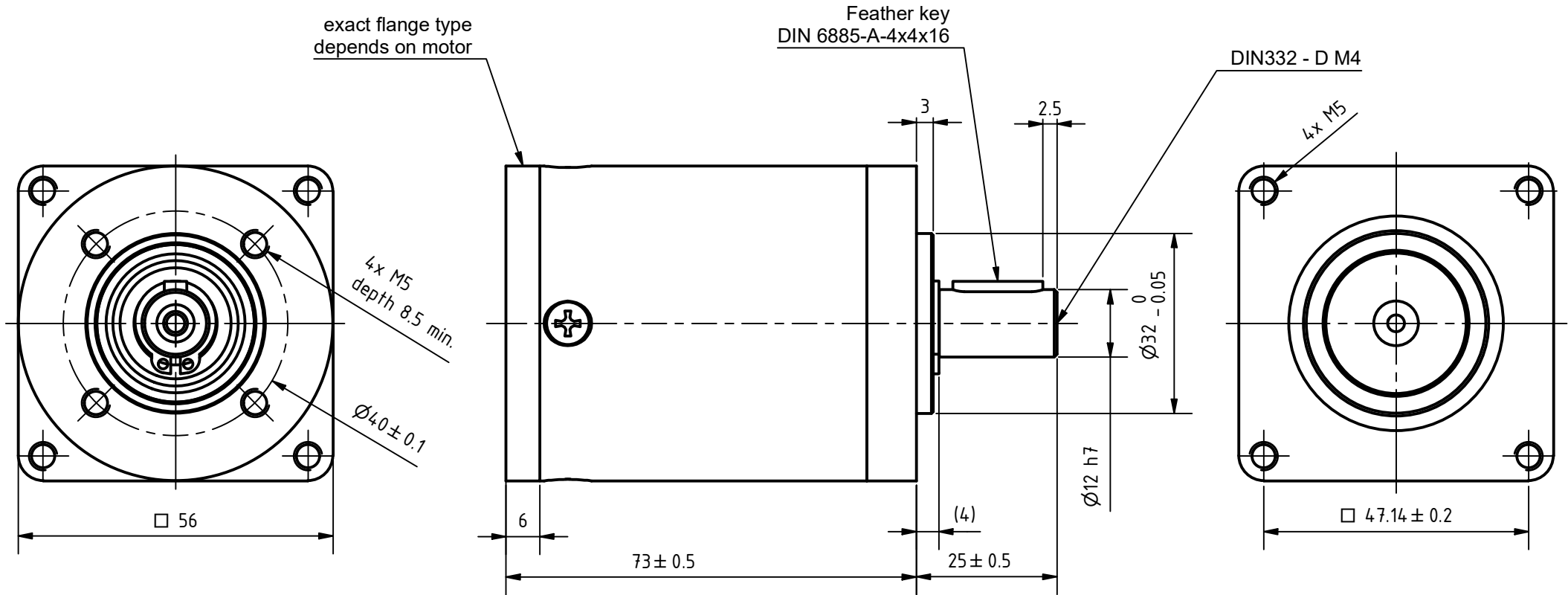


Dimension	Tolerance
12 h7	0/ -0.018



GEARBOX SPECIFICATION

Reduction Ratio		26(25.884)
No. of Stages		2
Rated Output Torque	Nm	11.8
Max. Output Torque	Nm	19.0
Rated Input Speed	rpm	3500
Max. Input Speed	rpm	6050
Backlash	°	0.3
Efficiency	%	86
Lifetime	h	5000
Max. Axial Force	N	1480
Max. Radial Force (shaft middle)	N	560
Gearbox Inertia	kg m ²	3.3 x 10 ⁻⁶
Ambient Temperature	°C	-10 ... 50
Protection Class		IP54

ISO 8015	ISO 1302	ISO 2768 cK	ISO 13715	Weight: ~0.79kg	
			Date	Name	
			Drawn	10.08.2017	Administrator
			Reviewed		
			Released		
00					
REV	Rev. Text	Name	Date		
				20000828	Scale: 1 : 1
				State: Work in Progress	Rev: 00
				CONFIDENTIAL	
				A4	Page 1