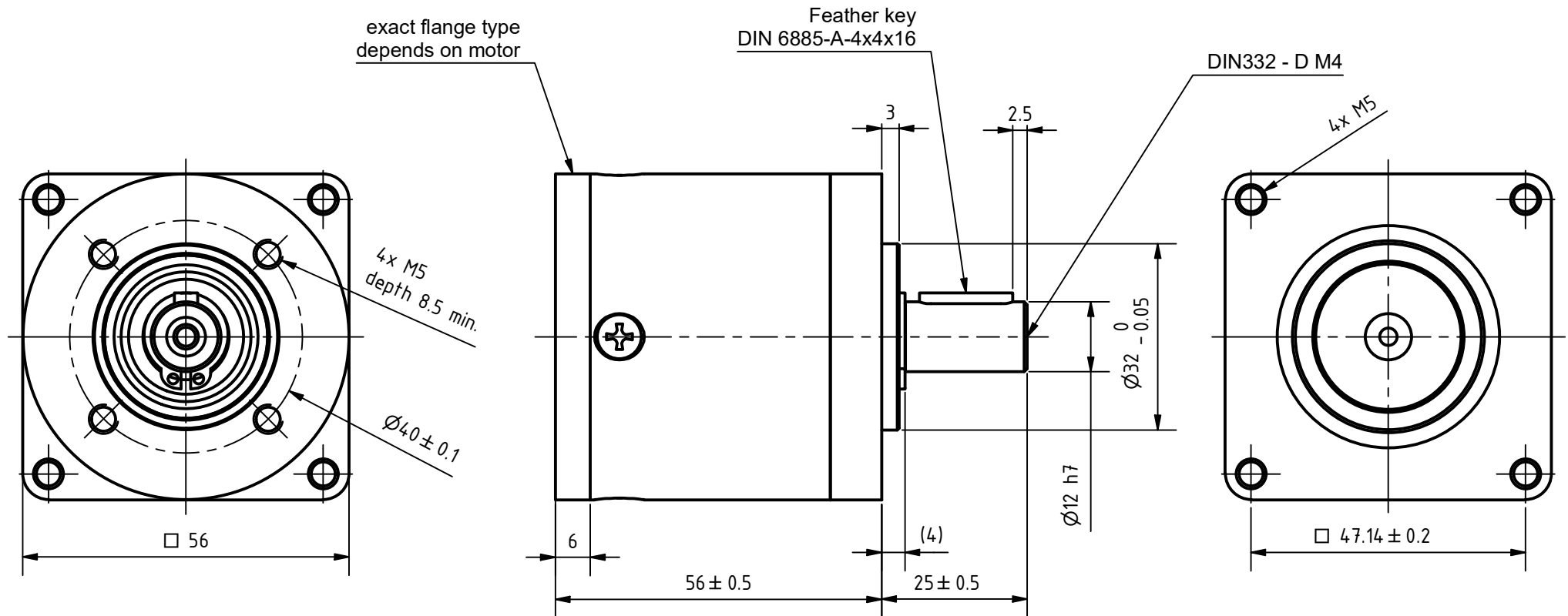


Dimension	Tolerance
12 h7	0/ -0.018



GEARBOX SPECIFICATION

Reduction Ratio	5 (5.368)
No. of Stages	1
Rated Output Torque	Nm 1.7
Max. Output Torque	Nm 5.0
Rated Input Speed	rpm 3500
Max. Input Speed	rpm 8800
Backlash	° 0.7
Efficiency	% 92
Lifetime	h 5000
Max. Axial Force	N 880
Max. Radial Force (shaft middle)	N 330
Gearbox Inertia	kg m ² 2.3 x10 ⁻⁶
Ambient Temperature	°C -10 ... 50
Protection Class	IP54

ISO 8015	ISO 1302	ISO 2768 cK	ISO 13715	Weight: ~0.54kg	
			Date	Name	
			Drawn	16.02.2021	Schneid_A
			Reviewed	22.02.2021	Micheli_M
			Released	22.02.2021	Micheli_M
00					GP56-N1-5-SR 20000823
REV	Rev. Text	Name			
State: Released			Rev: 00	CONFIDENTIAL	