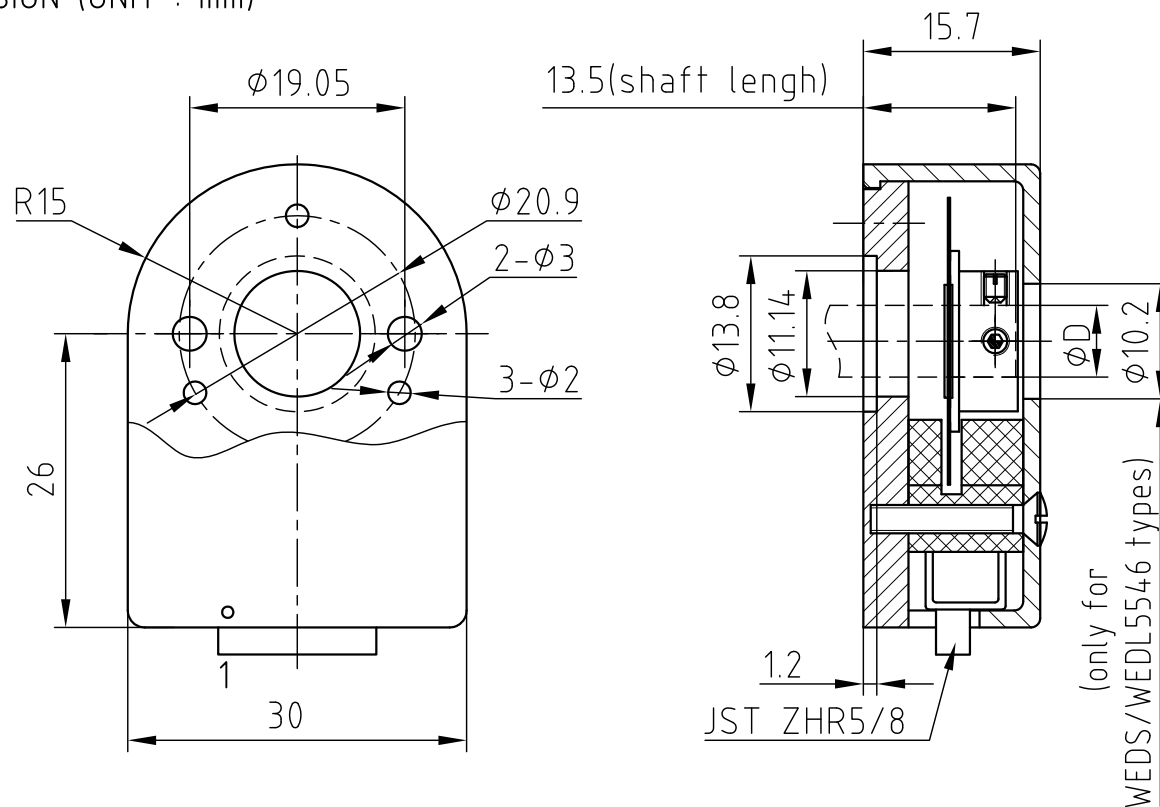
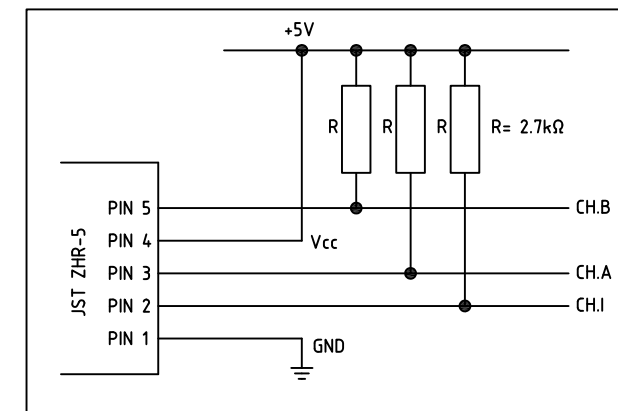


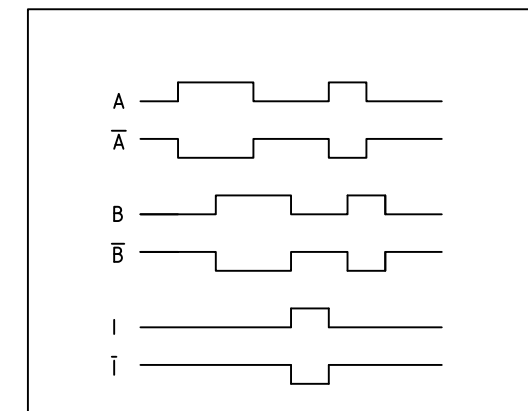
DIMENSION (UNIT : mm)



WEDS CONNECTOR CONFIGURATION



WEDL WITH LINE DRIVER OUTPUT SIGNALS



CONNECTOR CONFIGURATION

Driver output	0V	I	A	Vcc	B			
Coding system of the flat ribbon cable	1 (RD)	2	3	4	5			
Core color ZK-WEDS... cable	Black	Yellow	Green	Red	White			
Line driver output	0V	Vcc	A	A\	B\	B	I\	I
Coding system of the flat ribbon cable	1 (RD)	2	3	4	5	6	7	8
Core color ZK-WEDL... cable	Black	Red	Green	Brown	Grey	White	Yellow	Orange



SCALE FREE	APVD	S.R.	10.09.09
X ±0.5	CHKD		
1PL ±0.2	DRN	J.W.	10.09.09
2PL ±0.1	SIGNATURE	DATE	
ANGLE ±30'			

WEDL/WEDS 5541(5546)

DWG.NO  
WEDL/WEDS5541 (500CPR)

A	-	22.03.16	A.S.
REV	DESCRIPTION	DATE	DRN

WEDL/WEDS5541(500CPR)