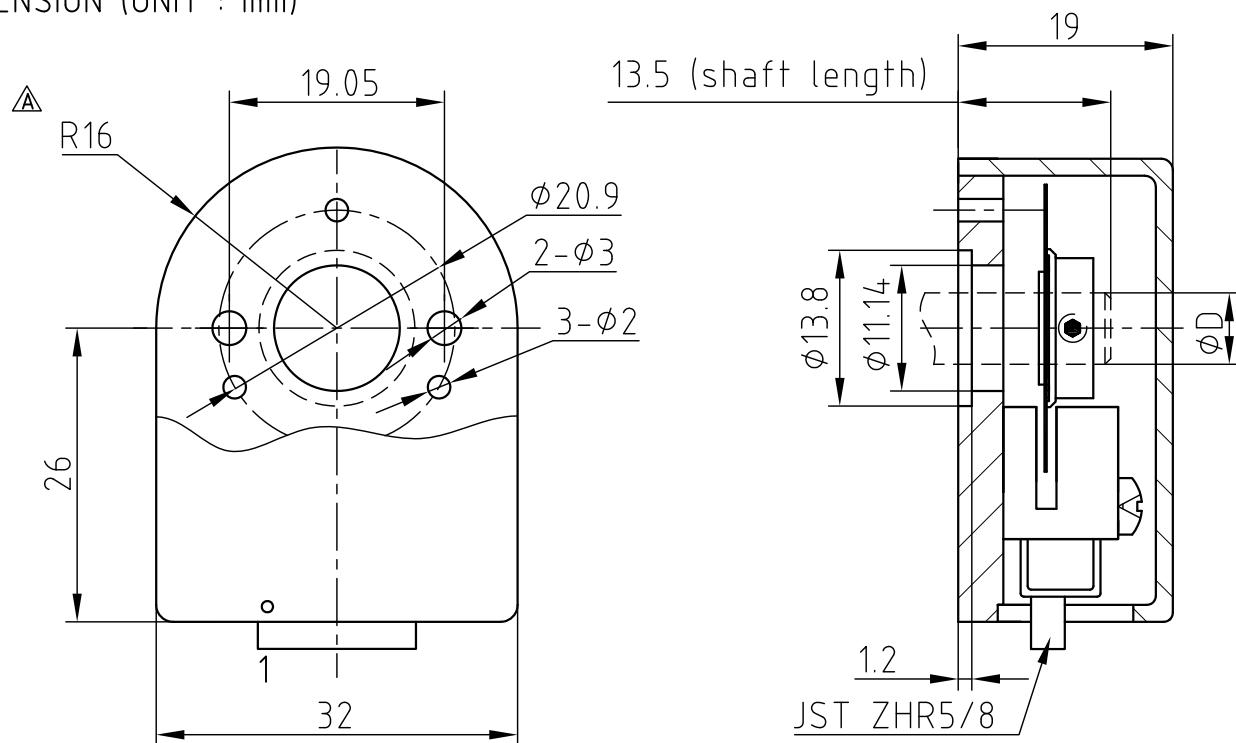
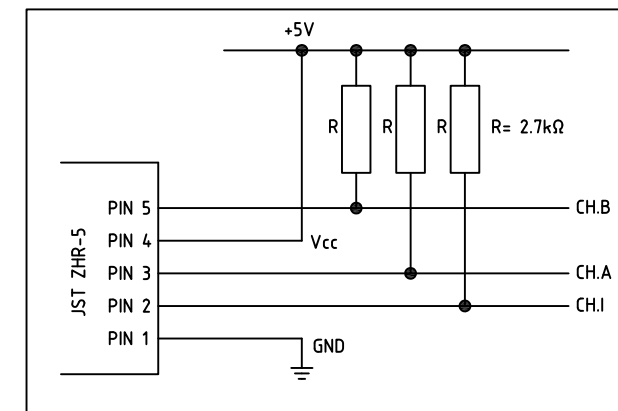


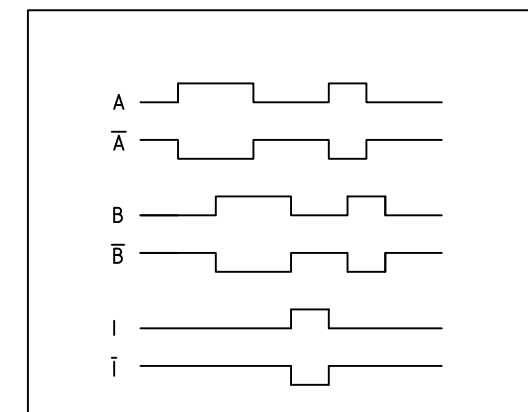
DIMENSION (UNIT : mm)



WEDS CONNECTOR CONFIGURATION



WEDL WITH LINE DRIVER OUTPUT SIGNALS



CONNECTOR CONFIGURATION

Driver output	0V	I	A	Vcc	B			
Coding system of the flat ribbon cable	1 (RD)	2	3	4	5			
Core color ZK-WEDS... cable	Black	Yellow	Green	Red	White			
Line driver output	0V	Vcc	A	A\	B\	B	I\	I
Coding system of the flat ribbon cable	1 (RD)	2	3	4	5	6	7	8
Core color ZK-WEDL... cable	Black	Red	Green	Brown	Grey	White	Yellow	Orange

B	-	23.03.16	A.S.	 Nanotec [®] PLUG & DRIVE	SCALE FREE	APVD	S.R.	10.09.09	WEDL/WEDS 5541
A	-	16.01.13	A.S.		X ±0.5	CHKD			
REV	DESCRIPTION	DATE	DRN	WEDL/WEDS5541(1000CPR)	1PL ±0.2	DRN	J.W.	10.09.09	WEDL/WEDS5541 (1000CPR)
					2PL ±0.1	SIGNATURE		DATE	
					ANGLE ±30'				