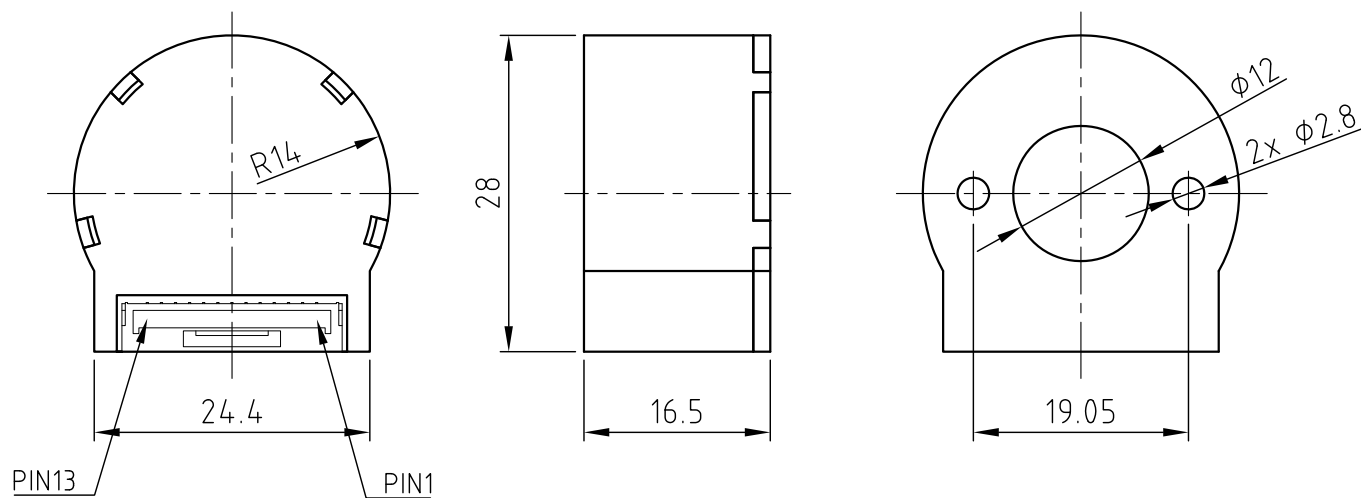
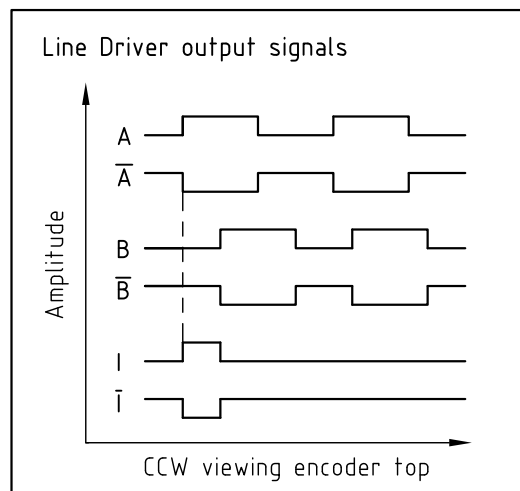
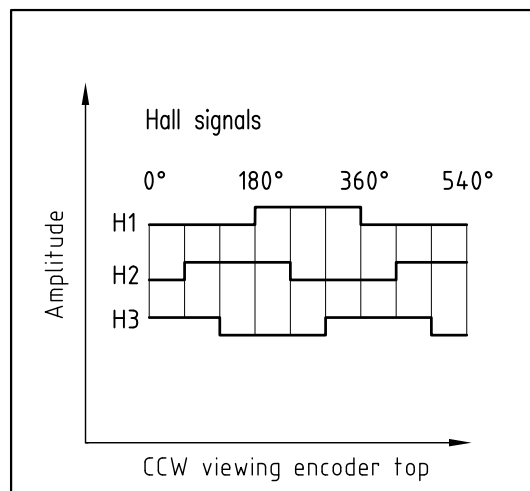


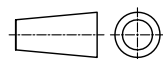
DIMENSION (UNIT : mm)



PIN assignment JST GH - 13pole		Connecting cable ZK-NME1-13-500-S
PIN No.	Function	Colour
1	GND	GN/WH (shielding)
2	A	GN
3	A\	BN
4	B\	GY
5	B	WH
6	I\	YE
7	I	OG
8	H1	BU
9	H3	PK
10	H2	VT
11	GND	BK
12	VCC (+5V to +24V)	RD
13	GND	GN/WH (shielding)



REV	DESCRIPTION	DATE	NAME



Surface specification
DIN ISO 1302

General tolerances
DIN ISO 2768- cK

Work piece edge
DIN ISO 13715



	Name	Date
DRN	A.S.	07.04.16
CHKD		

NME1
(1024 CPR)