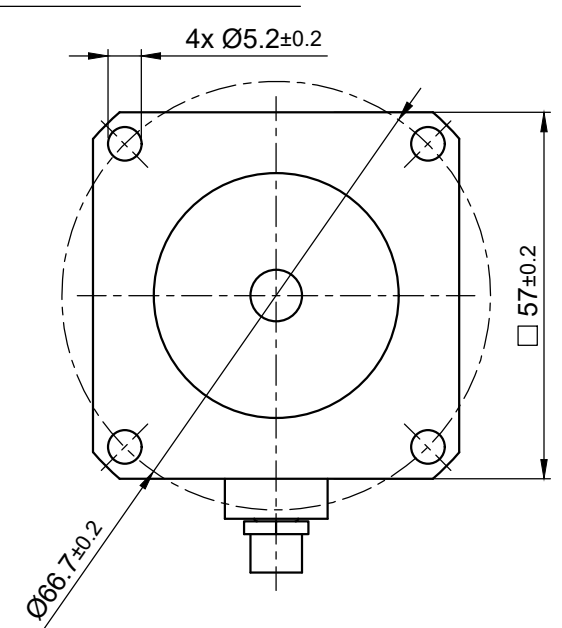
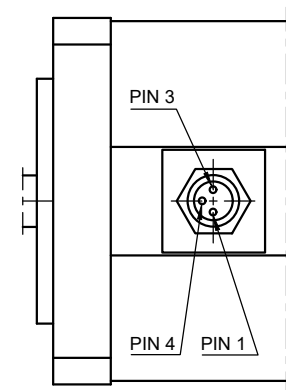


clamp fit:
screw tightening torque: 3,8 Nm
rec. shaft length:
10 - 14 mm



View X



BRAKE SPECIFICATION

Power Consumption	W	7.2
Static Brake Torque	Nm	≥1,5
Operating Voltage	±10% V DC	24
Max. Backlash	°	<0.5
Dielectric Strength	V AC	300k
Insulation Resistance	MΩ	100
Insulation Class		F
Protection Class		IP65
Ambient Temperature	°C	-10..60

PIN Assignment Brake

PIN1	Brake+
PIN3	Brake-
PIN4	n.c.

ISO 8015	ISO 1302	ISO 2768 cK	ISO 13715	Weight: ~	kg
			Date	Name	
03	change shaft length	Micheli_M	27.08.2021	Drawn	30.03.2021
02	Datasheet updated	Micheli_M	12.08.2021	Reviewed	27.05.2021
01	Dim. 14 max. to min.	Schneid_A	04.08.2021	Released	27.05.2021
REV	Rev. Text	Name	Date	Name	
				BRAKE-BCD56-1,5-8	
				20000975	
				A4 Page 1	
				State: Released	
				Rev: 03	
				CONFIDENTIAL	