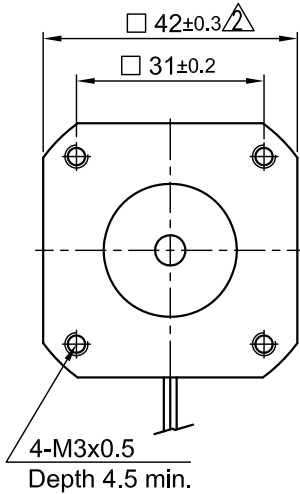
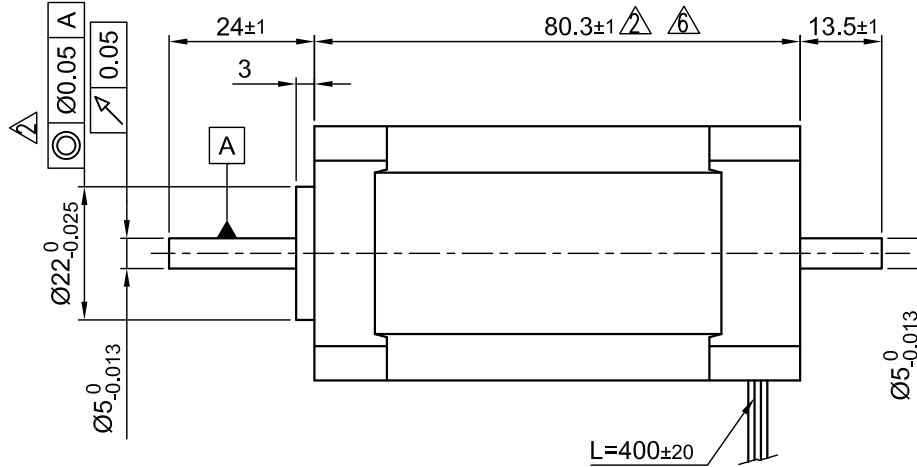


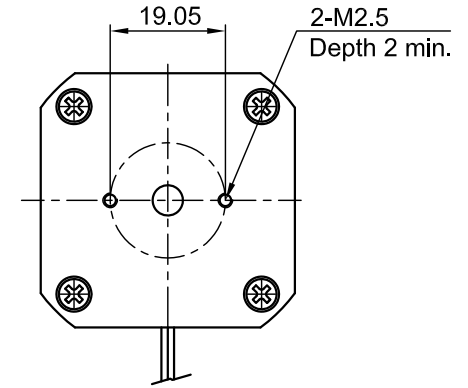
Front view and mounting



Side view

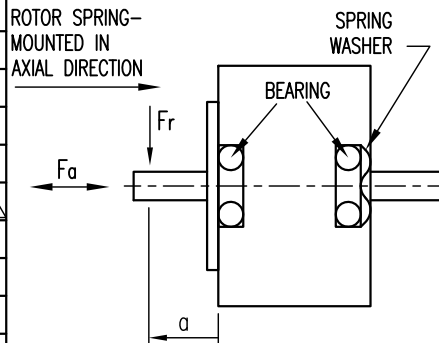


Rear view



SPECIFICATION	CONNECTION	DELTA
NO. OF POL./PHASE		8/3
VOLTAGE RATED		24
CURRENT RATED/PEAK (AMP)		5.14/15.5
RESISTANCE/PHASE TO PHASE (Ohms) @25°C		0.43±15%
INDUCTANCE/PHASE TO PHASE (mH) @1KHz		0.71±20%
TORQUE RATED/PEAK (Nm) [lb-in]		0.18/0.56 [1.95/4.96]
TORQUE CONSTANT (Nm/A)		0.036
POWER RATED (W)		75
SPEED RATED/NO LOAD (RPM)		4000/6100
ROTOR INERTIA (Kg-m <sup>2</sup> ) [lb-in <sup>2</sup> ]		6.68x10 <sup>-6</sup> [0.0228]
WEIGHT (Kg) [lb]		0.65 [1.433]
TEMPERATURE RISE: MAX.80°C		
AMBIENT TEMPERATURE -10°~ 50°C [14°F ~ 122°F]		
INSULATION RESISTANCE 100 MOhm (UNDER NORMAL TEMPERATURE AND HUMIDITY)		
INSULATION CLASS B 130° [266°F]		
DIELECTRIC STRENGTH 500VAC FOR 1 MIN. (BETWEEN THE MOTOR COILS AND THE MOTOR CASE)		
AMBIENT HUMIDITY MAX. 85% (NO CONDENSATION)		

PERMISSIBLE RADIAL+AXIAL FORCE



AXIAL-FORCE Fa (N)	Fr=10	
DISTANCE a (mm)	20	
RADIAL-FORCE Fr (N)	28	
	AXIAL	RADIAL
SHAFT PLAY (mm)	0.08	0.02
AT LOAD MAX: (N)	4.5	4.5

WIRING DIAGRAM		LEAD GAUGE	
COLOR	FUNCTION	Dir. → ←	
MOTOR 8 POL.	YEL U RED V BLK W	X HI X LOW LOW LOW X HI HI HI X	UL1430 AWG20
HALL 24 IMPL. REV.	RED +5V BLU H1 WHT H2 GRN H3 BLK GND	0 0 0 1 1 1 0 1 1 1 0 0 1 1 0 0 0 1	UL1430 AWG26
DELTA CONNECTING PHASE A YEL PHASE B RED PHASE C BLK			

9	CHANGE ROTOR INERTIA	08.09.15	A.S.
8	CHANGE POWER RATED	16.06.15	A.S.
7	UPDT. DATA	24.10.14	J.D.
REV	DESCRIPTION	DATE	DRN



DB42L01

SCALE FREE	APVD	S.Ha.	19.06.07
X ±0.5	CHKD		
1PL ±0.2	DRN	J.W.	19.04.07
2PL ±0.1	SIGNATURE	DATE	
ANGLE ±30'			

BRUSHLESS DC MOTOR

DWG.NO

DB42L01