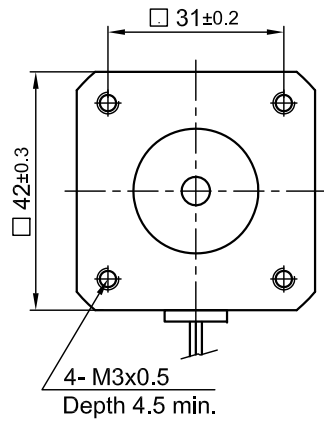
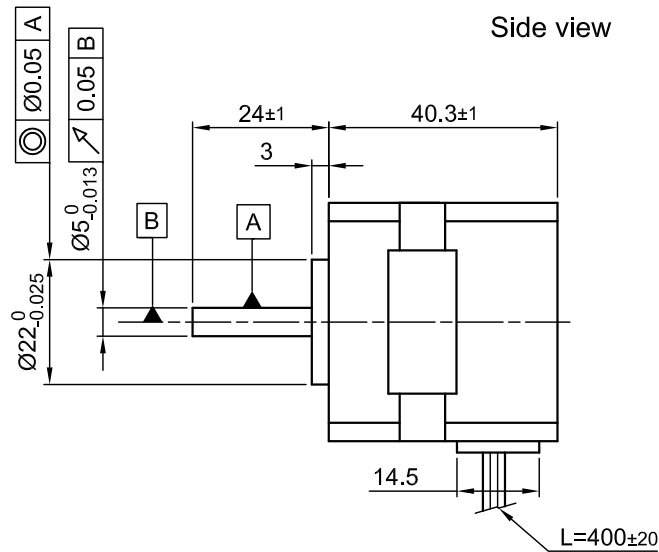


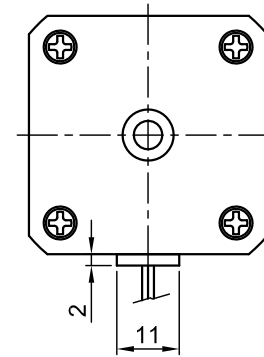
Front view and mounting



Side view

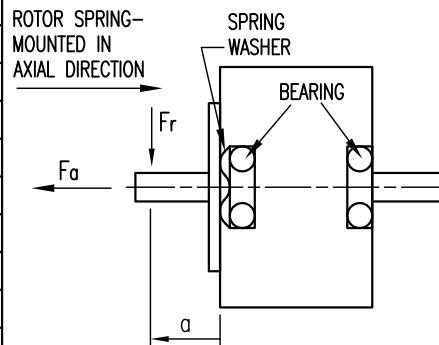


Rear view



SPECIFICATION	CONNECTION	STAR
NO. OF POL./PHASE		10/3
VOLTAGE RATED (VDC)		24
CURRENT RATED/PEAK (AMP)		1.3/ 4.4
RESISTANCE/PHASE TO PHASE (Ohms) @20°C		2.6 ±10%
INDUCTANCE/PHASE TO PHASE (mH) @1KHz		1.83 ±20%
TORQUE RATED/PEAK (Nm)		0.07/0.24
TORQUE CONSTANT (Nm/A)		0.0542
POWER RATED (W)		22
SPEED RATED/NO LOAD (RPM)		3000/4200
ROTOR INERTIA [g.cm ²]		48
WEIGHT (Kg)		0.3

PERMISSIBLE RADIAL+AXIAL FORCE

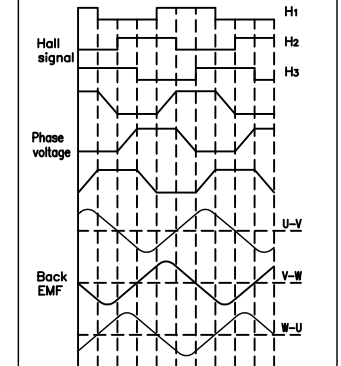


AXIAL-FORCE Fa (N)	Fa=10	
DISTANCE a (mm)	20	
RADIAL-FORCE Fr (N)	28	
	AXIAL	RADIAL
SHAFT PLAY (mm)	0.08	0.02
AT LOAD MAX: (N)	4.5	4.5

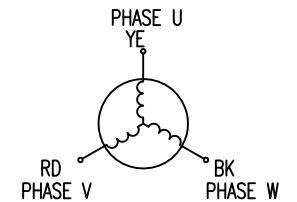
WIRING DIAGRAM

	COLOR	FUNCTION	LEAD GAUGE
MOTOR 10 POL.	YE	U	UL1332 AWG18
	RD	V	
	BK	W	
HALL 30 IMPL. REV.	RD	+5V	UL1430 AWG26
	BU	H1	
	GN	H2	
	WH	H3	
	BK	GND	

CW from shaft side



STAR CONNECTION



				APVD	M.P.	06.05.15	BRUSHLESS DC MOTOR
				CHKD			
Surface specification DIN ISO 1302				DRN	A.S.	06.05.15	DWG.NO DB41S024030-A
				General tolerances DIN ISO 2768- cH		Work piece edge DIN ISO 13715	
REV	DESCRIPTION	DATE	DRN				