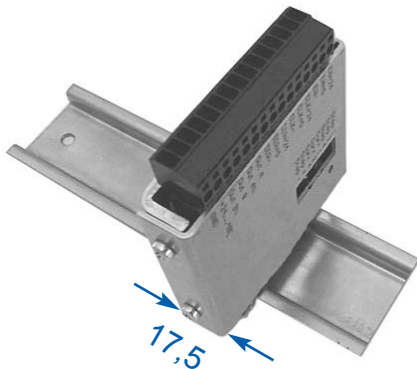


SMC32

Miniature Microstep Constant Current Driver up to 3 A/Phase in Metal Case

Technical Data:

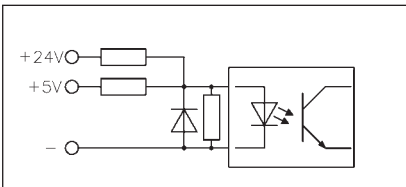


Operating Voltage:	<u>DC 24 V to 48 V</u>
max. Phase current:	<u>0.4 - 2 A/Phase</u> (up to 3A with fan) via DIP-switch
Mode:	Bipolar-Chopper-Driver
Operating Mode:	Full- (1/1), 1/2, 1/4, 1/5, 1/8, 1/10 (tenth-step) via DIP-switch
Step setting:	0 to 50 kHz
Step frequency:	test drive (250 Hz) via DIP-switch T+, T-
Test Mode:	automatically to 50%
Current down:	via optocoupler 5 V (24 V)
Input signals:	Power (Operating voltage)
LED:	integr. overvoltage and overtemp.> +80 °C
Protective circuit:	IP20
Protection class:	0 to + 40 °C
Temperature range:	via screw type plug-in terminals for AWG24-12
Type of connection:	via DIN-rail EN50022 35x7,5
Kind of mounting:	110 g (SMC32-3 with fan: 130 g)
Weight:	

Attention: A charging capacitor of at least 4.700 µF has to be provided in the supply voltage so that the permissible voltage is not exceeded during the braking process.

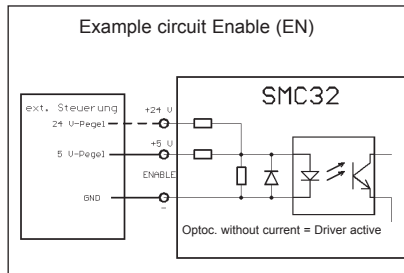
Input Circuit

Optocoupler (5 V or 24 V)
Clock (CLK), Direct. (DIR), (EN)

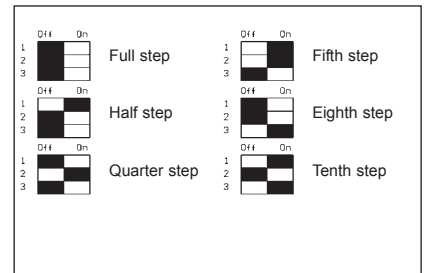


Input Circuit

Example circuit Enable (EN)



Step setting



Current setting (switch 4 to 6)

Order Coder:

SMC32-□

2 = up to 2 A/Phase
3 = up to 3 A/Phase (with fan)

