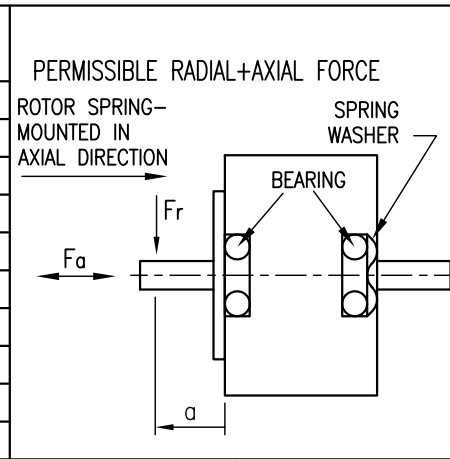
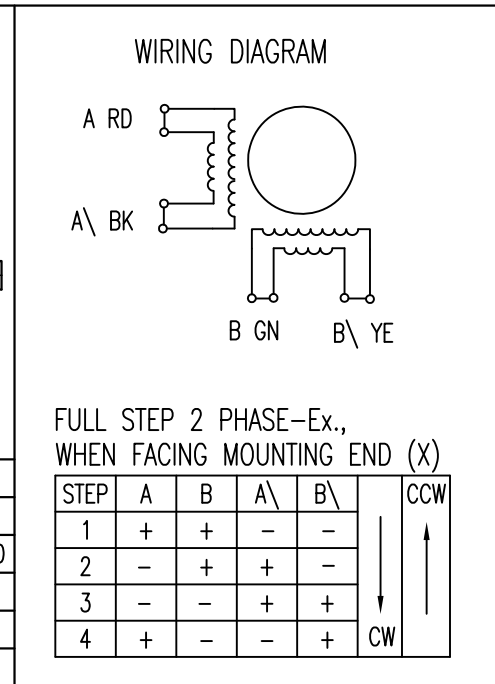


SPECIFICATION	CONNECTION	BIPOLAR PARALLEL
VOLTAGE (VDC)		2.18
AMPS/PHASE		9.5
RESISTANCE/PHASE (Ohms)@25°C		0.23±15%
INDUCTANCE/PHASE (mH) @1KHz		2.7±20%
HOLDING TORQUE (Nm) [lb-in]		9.33 [82.57]
DETENT TORQUE (Nm) [lb-in]		0.11 [0.9735]
STEP ANGLE (°) ± ACCURACY		1.8 ± 5% (NON-ACCUM)
BACK-EMF (V) (300 U/min.)		23.15
ROTOR INERTIA (Kg-m ²) [lb-in ²]		3.0x10 ⁻⁴ [1.025]
WEIGHT (Kg) [lb]		4.2 [9.26] Δ
TEMPERATURE RISE: MAX.80°C (MOTOR STANDSTILL; FOR 2 PHASE ENERGIZED)		
AMBIENT TEMPERATURE -10~ 50°C [14°F ~ 122°F]		
INSULATION RESISTANCE 100 MOhm (UNDER NORMAL TEMPERATURE AND HUMIDITY)		
INSULATION CLASS B 130° [266°F]		
DIELECTRIC STRENGTH 500VAC FOR 1 MIN. (BETWEEN THE MOTOR COILS AND THE MOTOR CASE)		
AMBIENT HUMIDITY MAX. 85% (NO CONDENSATION)		



	AXIAL-FORCE Fa (N)	Fa=65			
DISTANCE a (mm)		5	10	15	20
RADIAL-FORCE Fr (N)		535	355	256	200
		AXIAL	RADIAL		
SHAFT PLAY (mm)		0.075	0.025		
AT LOAD MAX: (N)		10	5.0		



MOTOR D-SUB-15	
PIN	ASSIGNMENT
1	A
2	A
3	A\
4	A\
5	B
6	B
7	B\
8	B\
9	NC
10	NC
11	NC
12	NC
13	NC
14	NC
15	NC
HOUSING	GND/SHIELDING

				 Nanotec [®] PLUG & DRIVE	SCALE FREE	APVD	<i>S.Ha.</i>	18.04.07	STEPPING MOTOR DWG.NO AD8918L9504
1	WEIGHT	04.06.07	J.W.		X ±0.5	CHKD			
REV	DESCRIPTION	DATE	APVD	AD8918L9504	1PL ±0.2	DRN	<i>J.W.</i>	18.04.07	
					2PL ±0.1	SIGNATURE		DATE	
					ANGLE ±30'				