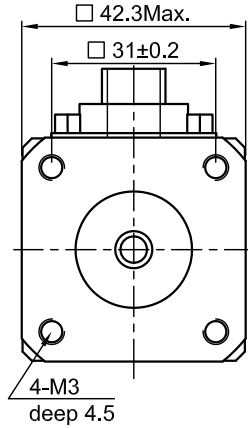
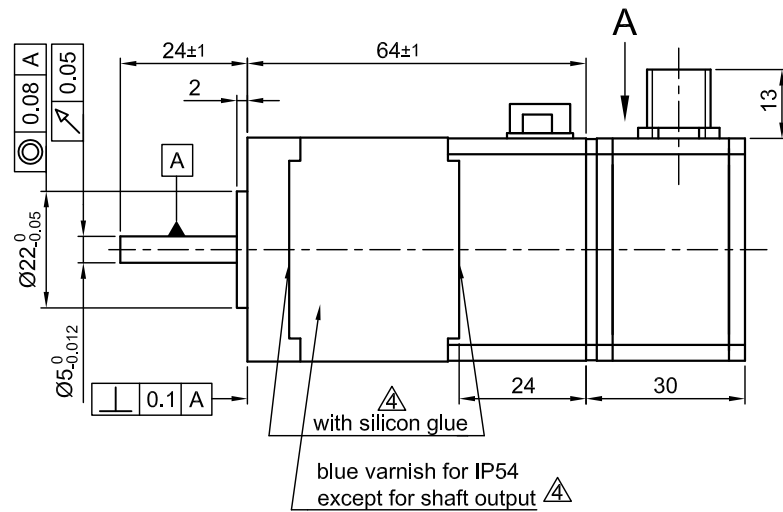


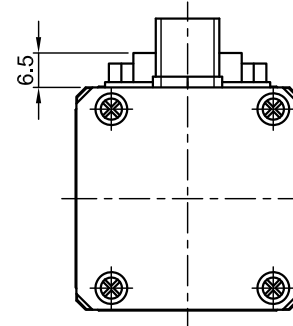
Front view and mounting



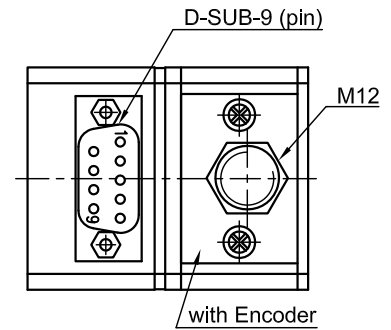
Side view



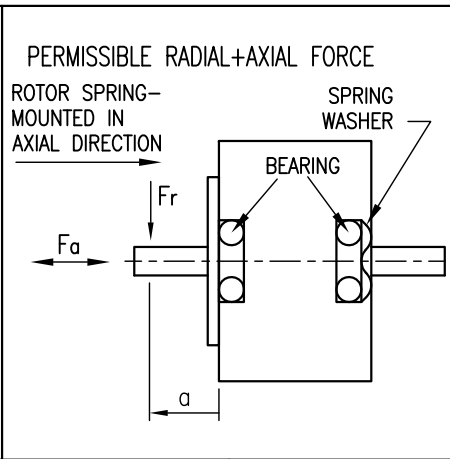
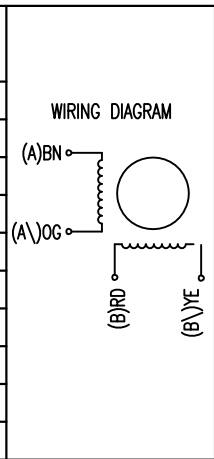
Rear view



Top view A



SPECIFICATION	CONNECTION	BIPOLAR
VOLTAGE (VDC)		2.8
AMPS/PHASE		1.8
RESISTANCE/PHASE (Ohms)@25°C		1.75±15%
INDUCTANCE/PHASE (mH) @1KHz		5.4±20%
HOLDING TORQUE (Nm) [lb-in]		0.5 [4.425]
DETENT TORQUE (Nm) [lb-in]		0.022 [0.195]
STEP ANGLE (°) ± ACCURACY		1.8 ± 5%
BACK-EMF (V) (300 U/min)		6.9
ROTOR INERTIA (Kg-m <sup>2</sup> ) [lb-in <sup>2</sup> ]		8.2x10 <sup>-6</sup> [0.028]
WEIGHT (Kg) [lb]		0.45 [0.99]



ENCODER M12		CABLE
PIN	ASSIGNMENT	COLOR
1	A	WH
2	A\	BN
3	B	GN
4	B\	YE
5	GND 0V	GY
6	I	PK
7	\	BU
8	Vcc +5V	RD
HOUSING	GND/SHIELDING	

MOTOR D-SUB-9	
PIN	ASSIGNMENT
1	A
2	A\
3	B
4	B\
5	NC
6	NC
7	NC
8	NC
9	NC
HOUSING	GND/SHIELDING

FULL STEP 2 PHASE-Ex., WHEN FACING MOUNTING END (X)

STEP	A	B	A\	B\	CCW
1	+	+	-	-	
2	-	+	+	-	
3	-	-	+	+	
4	+	-	-	+	

3	COLOR OF CABLE	08.07.09	J.W.
2	PIN N RENAME AS I	24.09.07	J.W.
4	WITH VARNISH+SILICON	18.02.10	J.W.
REV	DESCRIPTION	DATE	APVD



AD4118L1804-E

SCALE FREE	APVD	S.Ha.	23.01.07
X ±0.5	CHKD		
1PL ±0.2	DRN	J.W.	23.01.07
2PL ±0.1	SIGNATURE	DATE	
ANGLE ±30'			

STEPPING MOTOR	
DWG.NO	AD4118L1804-E