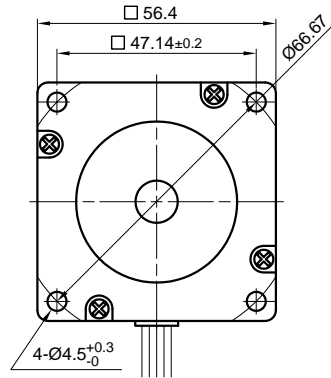
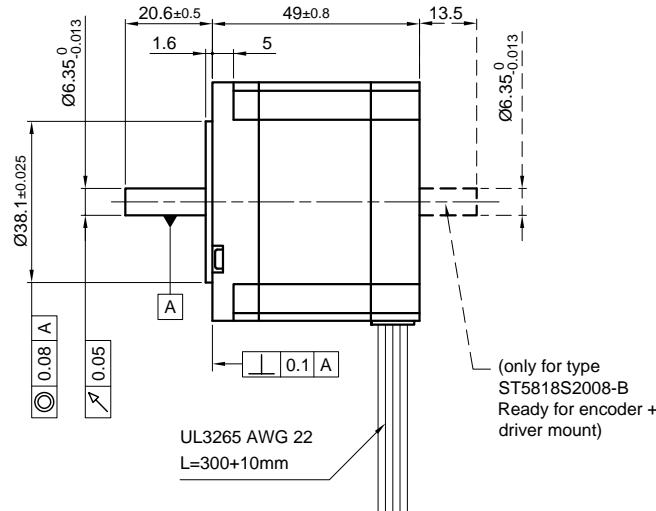


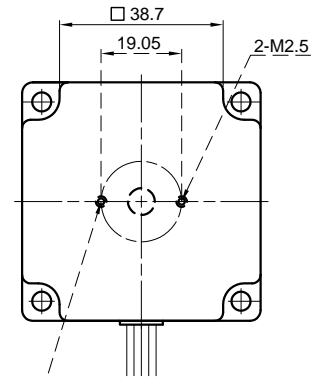
Front view and mounting



Side view

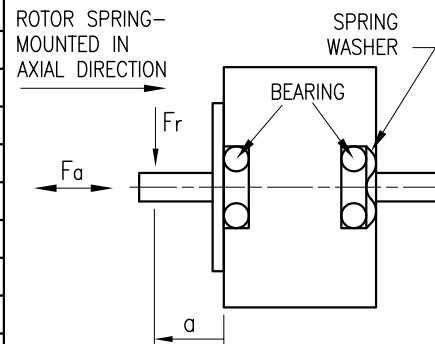


Rear view



SPECIFICATION	CONNECTION	UNIPOLAR OR BIPOLAR-1 WINDING	BIPOLAR	
			SERIAL	PARALLEL
VOLTAGE (VDC)		3.0		
AMPS/PHASE		2.0	1.41	2.83
RESISTANCE/PHASE (Ohms)@25°C		1.5±15%	3.0±15%	0.75±15%
INDUCTANCE/PHASE (mH) @1KHz		2.6±20%	10.4±20%	2.6±20%
HOLDING TORQUE (Nm) [lb-in]		0.65 [5.752]	0.92 [8.133]	0.92 [8.133]
DETENT TORQUE (Nm) [lb-in]		0.0255 [0.226]		
STEP ANGLE (°)		1.8		
STEP ACCURACY (NON-ACCUM)		±5%		
ROTOR INERTIA (Kg-m ²) [lb-in ²]		0.23x10 ⁻⁴ [0.079]		
WEIGHT (Kg) [lb]		0.6 [1.323]		
TEMPERATURE RISE: MAX.80°C (MOTOR STANDSTILL; FOR 2 PHASE ENERGIZED)				
AMBIENT TEMPERATURE -10~ 50°C [14°F ~ 122°F]				
INSULATION RESISTANCE 100 MOhm (UNDER NORMAL TEMPERATURE AND HUMIDITY)				
INSULATION CLASS B 130° [266°F]				
DIELECTRIC STRENGTH 500VAC FOR 1 MIN. (BETWEEN THE MOTOR COILS AND THE MOTOR CASE)				
AMBIENT HUMIDITY MAX. 85% (NO CONDENSATION)				

PERMISSIBLE RADIAL+AXIAL FORCE



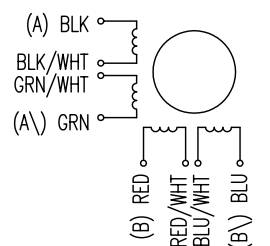
	AXIAL-FORCE Fa (N)			
	Fa=10			
DISTANCE a (mm)	5	10	15	20
RADIAL-FORCE Fr (N)	130	90	70	52
SHAFT PLAY (mm)	AXIAL		RADIAL	
	0.075		0.025	
AT LOAD MAX: (N)	10		5.0	

UNIPOLAR	TYPE OF CONNECTION (EXTERN)			MOTOR	
	1WINDING	BIPOLAR		LEADS	WINDING
A	A	A	A	BLK	A
COM				BLK/WHT	
A\		A\	A\	GRN/WHT	A\
B	B	B	B	GRN	B
COM				RED	
B\		B\	B\	RED/WHT	B\
				BLU/WHT	
				BLU	

FULL STEP 2 PHASE-Ex.,
WHEN FACING MOUNTING END (X)

STEP	A	B	A\	B\	CCW	CW
1	+	+	-	-	↓	↑
2	-	+	+	-	↓	↑
3	-	-	+	+	↓	↑
4	+	-	-	+	↓	↑

WIRING DIAGRAM



REV	DESCRIPTION	DATE	APVD	NANOTEC:	SCALE FREE	APVD	S.Ha.	16.01.07	STEPPING MOTOR
				ST5818S2008	X ±0.5				
					1PL ±0.2	CHKD			
					2PL ±0.1	DRN	J.W.	08.05.06	
					ANGLE ±30'	SIGNATURE		DATE	
								DWG.NO	
								ST5818S2008	