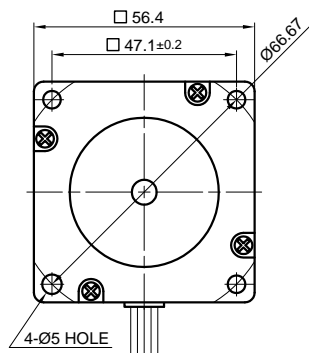
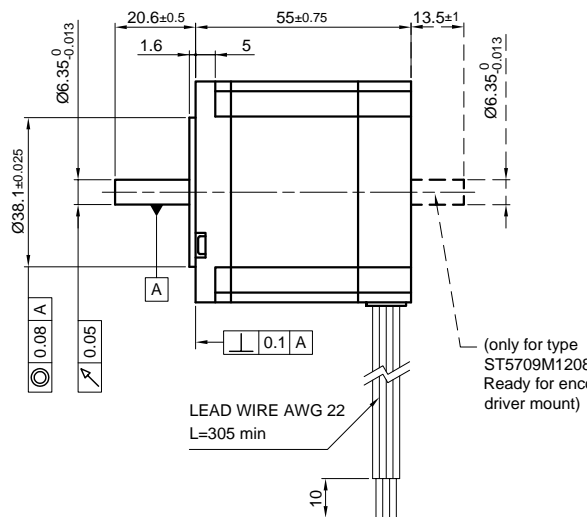


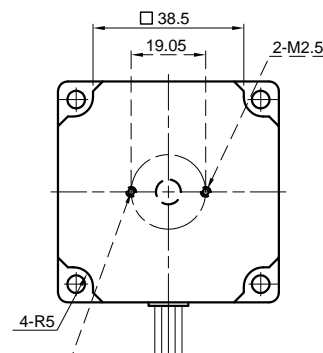
Front view and mounting



Side view

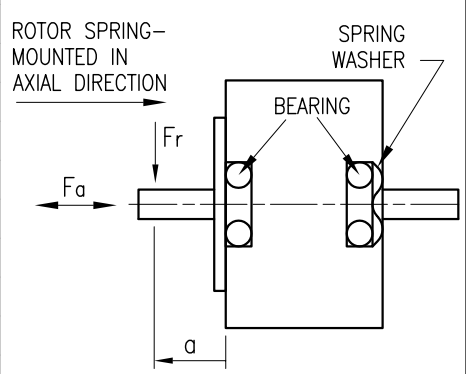


Rear view



SPECIFICATION	CONNECTION	UNIPOLAR OR BIPOLAR-1 WINDING		BIPOLAR	
		SERIAL	PARALLEL	SERIAL	PARALLEL
VOLTAGE (VDC)		6.0			
AMPS/PHASE		1.2		0.85	1.7
RESISTANCE/PHASE (Ohms)@25°C		5.0±15%		10±15%	2.5±15%
INDUCTANCE/PHASE (mH) @1KHz		12.3±20%		49.2±20%	12.3±20%
HOLDING TORQUE (Nm) [lb-in]		0.85 [7.523]		1.2 [10.62]	1.2 [10.62]
DETENT TORQUE (Nm) [lb-in]		0.0255 [0.226]			
STEP ANGLE (°)		0.9			
STEP ACCURACY (NON-ACCUM)		±5%			
ROTOR INERTIA (Kg-m²) [lb-in²]		3.0x10 ⁻⁵ [0.102]			
WEIGHT (Kg) [lb]		0.7 [1.543]			

PERMISSIBLE RADIAL+AXIAL FORCE

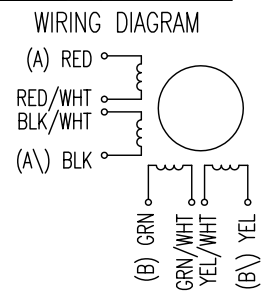


AXIAL-FORCE Fa (N)	Fa=10			
DISTANCE a (mm)	5	10	15	20
RADIAL-FORCE Fr (N)	130	90	70	52
		AXIAL	RADIAL	
SHAFT PLAY (mm)	0.075		0.025	
AT LOAD MAX: (N)	10		5.0	

UNIPOLAR	TYPE OF CONNECTION (EXTERN)			MOTOR	
	1WINDING	SERIAL	PARALLEL	LEADS	WINDING
A	A	A	A	RED	A
COM				RED/WHT	
A\		A\	A\	BLK	A\
B	B	B	B	GRN	B
COM				GRN/WHT	
B\		B\	B\	YEL/WHT	B\
				YEL	

FULL STEP 2 PHASE-Ex., WHEN FACING MOUNTING END (X)

STEP	A	B	A\	B\	CCW
1	+	+	-	-	↓
2	-	+	+	-	↑
3	-	-	+	+	↓
4	+	-	-	+	↑



REV	DESCRIPTION	DATE	APVD	NANOTEC:	SCALE FREE	APVD	S.Hα.	15.01.07	STEPPING MOTOR
				ST5709M1208	X ±0.5 1PL ±0.2 2PL ±0.1 ANGLE ±30'	CHKD			
						DRN	J.W.	05.07.06	DWG.NO
						SIGNATURE		DATE	ST5709M1208