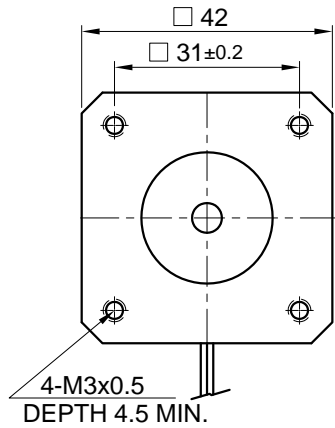
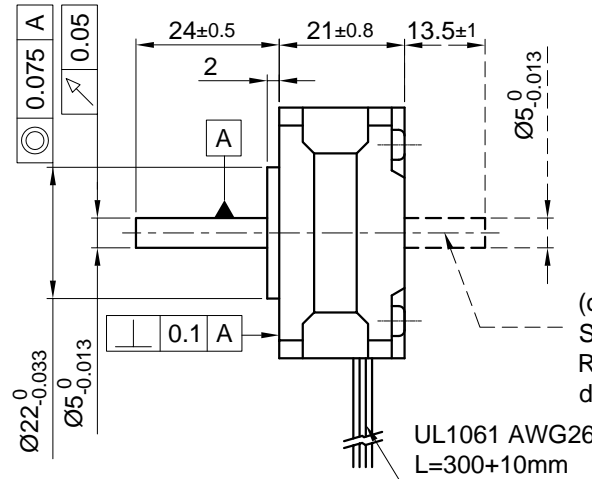


Front view and mounting

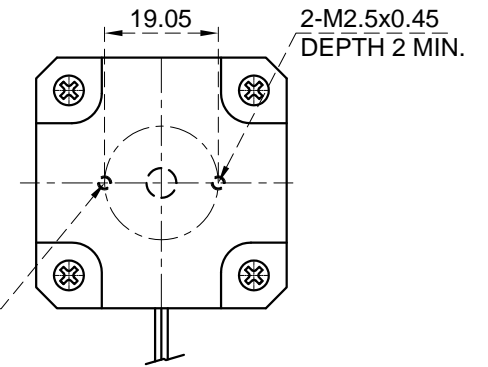


Side view



(only for type ST4018X1404-B Ready for encoder + driver mount)

Rear view



CONNECTION		BIPOLAR		PERMISSIBLE RADIAL+AXIAL FORCE																																																																					
SPECIFICATION																																																																									
VOLTAGE (VDC)		2.8		<table border="1"> <thead> <tr> <th>TYPE OF CONNECTION (EXTERN)</th> <th colspan="2">MOTOR</th> </tr> <tr> <th>BIPOLAR</th> <th>LEADS</th> <th>WINDING</th> </tr> </thead> <tbody> <tr> <td>A —</td> <td>WHT</td> <td>A</td> </tr> <tr> <td>A \ —</td> <td>RED</td> <td>A \</td> </tr> <tr> <td>B —</td> <td>BLU</td> <td>B</td> </tr> <tr> <td>B \ —</td> <td>YEL</td> <td>B \</td> </tr> </tbody> </table>				TYPE OF CONNECTION (EXTERN)	MOTOR		BIPOLAR	LEADS	WINDING	A —	WHT	A	A \ —	RED	A \	B —	BLU	B	B \ —	YEL	B \																																																
TYPE OF CONNECTION (EXTERN)	MOTOR																																																																								
BIPOLAR	LEADS	WINDING																																																																							
A —	WHT	A																																																																							
A \ —	RED	A \																																																																							
B —	BLU	B																																																																							
B \ —	YEL	B \																																																																							
AMPS/PHASE		1.4		<table border="1"> <thead> <tr> <th>STEP</th> <th>A</th> <th>B</th> <th>A \</th> <th>B \</th> <th>CCW</th> </tr> </thead> <tbody> <tr> <td>1</td> <td>+</td> <td>+</td> <td>-</td> <td>-</td> <td rowspan="2">↓ CW</td> </tr> <tr> <td>2</td> <td>-</td> <td>+</td> <td>+</td> <td>-</td> </tr> <tr> <td>3</td> <td>-</td> <td>-</td> <td>+</td> <td>+</td> <td rowspan="2">↑ CCW</td> </tr> <tr> <td>4</td> <td>+</td> <td>-</td> <td>-</td> <td>+</td> </tr> </tbody> </table>				STEP	A	B	A \	B \	CCW	1	+	+	-	-	↓ CW	2	-	+	+	-	3	-	-	+	+	↑ CCW	4	+	-	-	+																																						
STEP	A	B	A \	B \	CCW																																																																				
1	+	+	-	-	↓ CW																																																																				
2	-	+	+	-																																																																					
3	-	-	+	+	↑ CCW																																																																				
4	+	-	-	+																																																																					
RESISTANCE/PHASE (Ohms)@25°C		2.0 ± 15%		<table border="1"> <thead> <tr> <th>TEMPERATURE RISE: MAX.80°C (MOTOR STANDSTILL; FOR 2 PHASE ENERGIZED)</th> <th>AXIAL-FORCE Fa (N)</th> <th colspan="4">Fa=7</th> </tr> </thead> <tbody> <tr> <td>AMBIENT TEMPERATURE -10~ 50°C [14°F ~ 122°F]</td> <td>DISTANCE a (mm)</td> <td>5</td> <td>10</td> <td>15</td> <td>20</td> </tr> <tr> <td>INDUCTANCE/PHASE (mH) @1KHz</td> <td>RADIAL-FORCE Fr (N)</td> <td>58</td> <td>36</td> <td>26</td> <td>20</td> </tr> <tr> <td>HOLDING TORQUE (Nm) [lb-in]</td> <td></td> <td colspan="2">AXIAL</td> <td colspan="2">RADIAL</td> </tr> <tr> <td>DETENT TORQUE (Nm) [lb-in]</td> <td>SHAFT PLAY (mm)</td> <td colspan="2">0.075</td> <td colspan="2">0.025</td> </tr> <tr> <td>STEP ANGLE (°)</td> <td>AT LOAD MAX: (N)</td> <td colspan="2">10</td> <td colspan="2">5.0</td> </tr> <tr> <td>STEP ACCURACY (NON-ACCUM)</td> <td></td> <td colspan="2">±5%</td> <td colspan="2"></td> </tr> <tr> <td>ROTOR INERTIA (Kg-m²) [lb-in²]</td> <td></td> <td colspan="2">1.6x10⁻⁶ [54.65x10⁻⁴]</td> <td colspan="2"></td> </tr> <tr> <td>WEIGHT (Kg) [lb]</td> <td></td> <td colspan="2">0.15 [0.33]</td> <td colspan="2"></td> </tr> <tr> <td colspan="2">INSULATION RESISTANCE 100 MOhm (UNDER NORMAL TEMPERATURE AND HUMIDITY)</td> <td colspan="2">INSULATION CLASS B 130° [266°F]</td> <td colspan="2">DIELECTRIC STRENGTH 500VAC FOR 1 MIN. (BETWEEN THE MOTOR COILS AND THE MOTOR CASE)</td> </tr> <tr> <td colspan="2">TEMPERATURE RISE: MAX.80°C (MOTOR STANDSTILL; FOR 2 PHASE ENERGIZED)</td> <td colspan="2">AMBIENT TEMPERATURE -10~ 50°C [14°F ~ 122°F]</td> <td colspan="2">AMBIENT HUMIDITY MAX. 85% (NO CONDENSATION)</td> </tr> </tbody> </table>				TEMPERATURE RISE: MAX.80°C (MOTOR STANDSTILL; FOR 2 PHASE ENERGIZED)	AXIAL-FORCE Fa (N)	Fa=7				AMBIENT TEMPERATURE -10~ 50°C [14°F ~ 122°F]	DISTANCE a (mm)	5	10	15	20	INDUCTANCE/PHASE (mH) @1KHz	RADIAL-FORCE Fr (N)	58	36	26	20	HOLDING TORQUE (Nm) [lb-in]		AXIAL		RADIAL		DETENT TORQUE (Nm) [lb-in]	SHAFT PLAY (mm)	0.075		0.025		STEP ANGLE (°)	AT LOAD MAX: (N)	10		5.0		STEP ACCURACY (NON-ACCUM)		±5%				ROTOR INERTIA (Kg-m²) [lb-in²]		1.6x10 ⁻⁶ [54.65x10 ⁻⁴]				WEIGHT (Kg) [lb]		0.15 [0.33]				INSULATION RESISTANCE 100 MOhm (UNDER NORMAL TEMPERATURE AND HUMIDITY)		INSULATION CLASS B 130° [266°F]		DIELECTRIC STRENGTH 500VAC FOR 1 MIN. (BETWEEN THE MOTOR COILS AND THE MOTOR CASE)		TEMPERATURE RISE: MAX.80°C (MOTOR STANDSTILL; FOR 2 PHASE ENERGIZED)		AMBIENT TEMPERATURE -10~ 50°C [14°F ~ 122°F]		AMBIENT HUMIDITY MAX. 85% (NO CONDENSATION)	
TEMPERATURE RISE: MAX.80°C (MOTOR STANDSTILL; FOR 2 PHASE ENERGIZED)	AXIAL-FORCE Fa (N)	Fa=7																																																																							
AMBIENT TEMPERATURE -10~ 50°C [14°F ~ 122°F]	DISTANCE a (mm)	5	10	15	20																																																																				
INDUCTANCE/PHASE (mH) @1KHz	RADIAL-FORCE Fr (N)	58	36	26	20																																																																				
HOLDING TORQUE (Nm) [lb-in]		AXIAL		RADIAL																																																																					
DETENT TORQUE (Nm) [lb-in]	SHAFT PLAY (mm)	0.075		0.025																																																																					
STEP ANGLE (°)	AT LOAD MAX: (N)	10		5.0																																																																					
STEP ACCURACY (NON-ACCUM)		±5%																																																																							
ROTOR INERTIA (Kg-m²) [lb-in²]		1.6x10 ⁻⁶ [54.65x10 ⁻⁴]																																																																							
WEIGHT (Kg) [lb]		0.15 [0.33]																																																																							
INSULATION RESISTANCE 100 MOhm (UNDER NORMAL TEMPERATURE AND HUMIDITY)		INSULATION CLASS B 130° [266°F]		DIELECTRIC STRENGTH 500VAC FOR 1 MIN. (BETWEEN THE MOTOR COILS AND THE MOTOR CASE)																																																																					
TEMPERATURE RISE: MAX.80°C (MOTOR STANDSTILL; FOR 2 PHASE ENERGIZED)		AMBIENT TEMPERATURE -10~ 50°C [14°F ~ 122°F]		AMBIENT HUMIDITY MAX. 85% (NO CONDENSATION)																																																																					
WIRING DIAGRAM																																																																									

REV		DESCRIPTION		DATE		APVD		NANOTEC:		SCALE FREE		APVD		S.K.		25.04.06		STEPPING MOTOR	
								ST4018X1404		X ±0.5		CHKD						DWG.NO	
										1PL ±0.2		DRN		J.W.		25.04.06		ST4018X1404	
										2PL ±0.1		SIGNATURE		DATE					
										ANGLE ±30'									