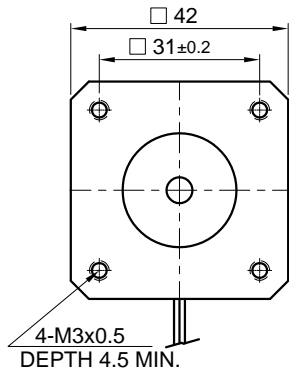
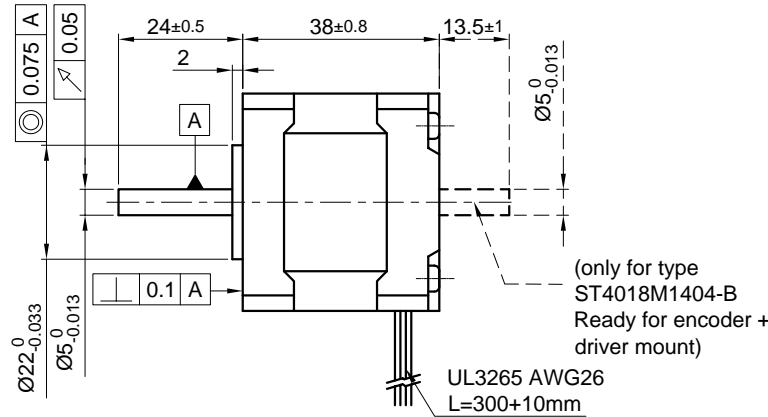


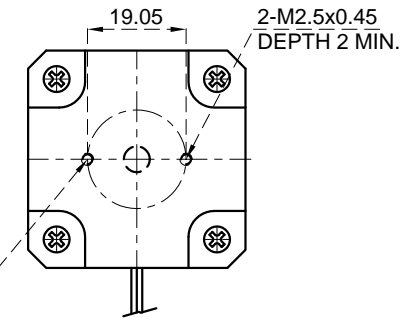
Front view and mounting



Side view

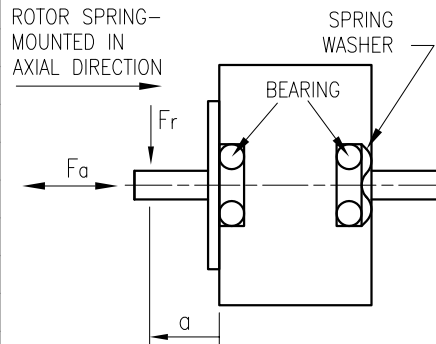


Rear view



SPECIFICATION	CONNECTION	BIPOLAR
VOLTAGE (VDC)		1.7
AMPS/PHASE		1.4
RESISTANCE/PHASE (Ohms)@25°C		1.2±15%
INDUCTANCE/PHASE (mH) @1KHz		1.7±20%
HOLDING TORQUE (Nm) [lb-in]		0.216 [1.912]
DETENT TORQUE (Nm) [lb-in]		0.98x10 ⁻² [8.673x10 ⁻²]
STEP ANGLE (°)		1.8
STEP ACCURACY (NON-ACCUM)		±5%
ROTOR INERTIA (Kg-m ²) [lb-in ²]		4.8x10 ⁻⁶ [0.0164]
WEIGHT (Kg) [lb]		0.27 [0.60]
TEMPERATURE RISE: MAX.80°C (MOTOR STANDSTILL; FOR 2 PHASE ENERGIZED)		
AMBIENT TEMPERATURE -10°~ 50°C [14°F ~ 122°F]		
INSULATION RESISTANCE 100 MOhm (UNDER NORMAL TEMPERATURE AND HUMIDITY)		
INSULATION CLASS B 130° [266°F]		
DIELECTRIC STRENGTH 500VAC FOR 1 MIN. (BETWEEN THE MOTOR COILS AND THE MOTOR CASE)		
AMBIENT HUMIDITY MAX. 85% (NO CONDENSATION)		

PERMISSIBLE RADIAL+AXIAL FORCE

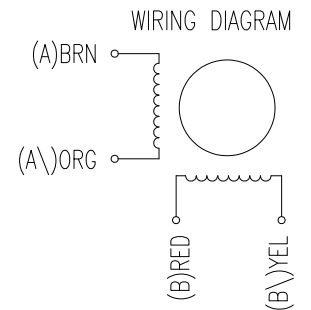


AXIAL-FORCE Fa (N)	Fa=7			
DISTANCE a (mm)	5	10	15	20
RADIAL-FORCE Fr (N)	58	36	26	20
	AXIAL		RADIAL	
SHAFT PLAY (mm)	0.075		0.025	
AT LOAD MAX: (N)	10		5.0	

TYPE OF CONNECTION (EXTERN)	MOTOR	
	LEADS	WINDING
BIPOLAR		
A —	BRN	A
A\ —	ORG	A\
B —	RED	B
B\ —	YEL	B\

FULL STEP 2 PHASE-Ex., WHEN FACING MOUNTING END (X)

STEP	A	B	A\	B\	
1	+	+	-	-	CCW
2	-	+	+	-	
3	-	-	+	+	CW
4	+	-	-	+	



REV	DESCRIPTION	DATE	APVD	NANOTEC:	SCALE	FREE	APVD	S.K.	26.04.06	STEPPING MOTOR	
					X	±0.5	CHKD				
					1PL	±0.2	DRN	J.W.	25.04.06	DWG.NO	
					2PL	±0.1	SIGNATURE		DATE		
					ANGLE	±30'					ST4018M1404