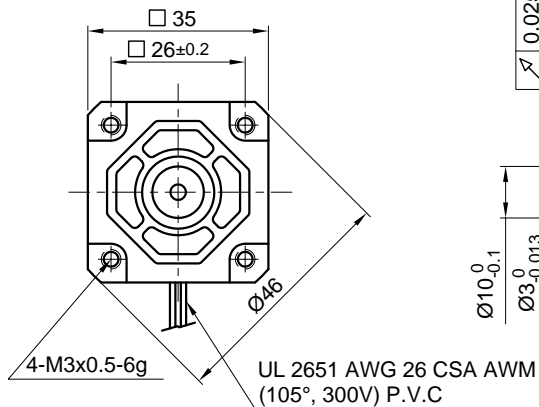
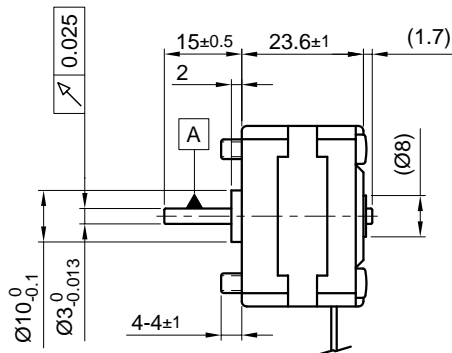


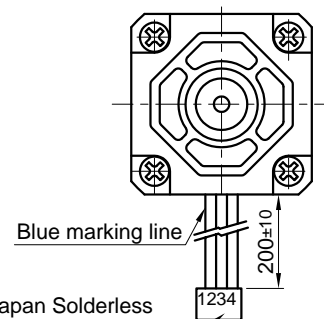
Front view and mounting



Side view



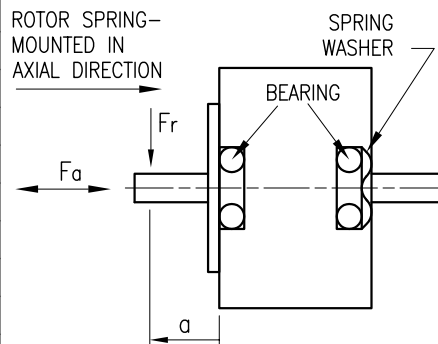
Rear view



Connector: Japan Solderless Terminal MGF Co. Ltd
Housing: 04KR-6S

SPECIFICATION	CONNECTION	BIPOLAR
VOLTAGE (VDC)		2.2
AMPS/PHASE		0.8
RESISTANCE/PHASE (Ohms)@25°C		2.8±10%
INDUCTANCE/PHASE (mH) @1KHz		3.0±20%
HOLDING TORQUE (Nm) [lb-in]		0.058 [0.513]
DETENT TORQUE (Nm) [lb-in]		2.90x10 ⁻³ [0.026]
STEP ANGLE (°)		1.8
STEP ACCURACY (NON-ACCUM)		±5%
ROTOR INERTIA (Kg-m ²) [lb-in ²]		8.1x10 ⁻⁷ [2.77x10 ⁻³]
WEIGHT (Kg) [lb]		0.11 [0.243]
TEMPERATURE RISE: MAX.80°C (MOTOR STANDSTILL; FOR 2 PHASE ENERGIZED)		
AMBIENT TEMPERATURE -10°~ 50°C [14°F ~ 122°F]		
INSULATION RESISTANCE 100 MOhm (UNDER NORMAL TEMPERATURE AND HUMIDITY)		
INSULATION CLASS B 130° [266°F]		
DIELECTRIC STRENGTH 500VAC FOR 1 MIN. (BETWEEN THE MOTOR COILS AND THE MOTOR CASE)		
AMBIENT HUMIDITY MAX. 85% (NO CONDENSATION)		

PERMISSIBLE RADIAL+AXIAL FORCE

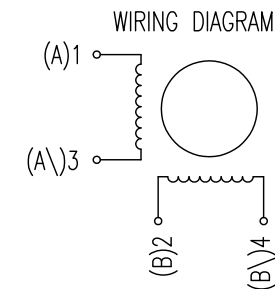


AXIAL-FORCE Fa (N)	n.a.	
DISTANCE a (mm)	10	
RADIAL-FORCE Fr (N)	4.9	
	AXIAL	RADIAL
SHAFT PLAY (mm)	0.65	n.a.
AT LOAD MAX: (N)	0	n.a.

TYPE OF CONNECTION (EXTERN)	MOTOR		
	CONNECTION PIN NO.	LEADS	WINDING
A —	1	BLU	A
A\ —	3	WHT	A\
B —	2	WHT	B
B\ —	4	WHT	B\

FULL STEP 2 PHASE-Ex.,
WHEN FACING MOUNTING END (X)

STEP	A	B	A\	B\	CCW	CW
1	+	+	-	-	↓	↑
2	-	+	+	-	↓	↑
3	-	-	+	+	↓	↑
4	+	-	-	+	↓	↑



REV	DESCRIPTION	DATE	APVD	NANOTEC:	SCALE	FREE	APVD	S.H.a.	09.02.07	STEPPING MOTOR
				SL3518X0804-A	X	±0.5	CHKD			
					1PL	±0.2	DRN	J.W.	22.09.06	DWG.NO
					2PL	±0.1	SIGNATURE		DATE	SL3518X0804-A
					ANGLE	±30'				