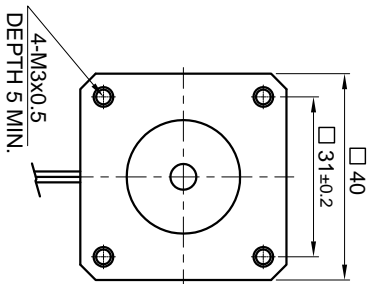
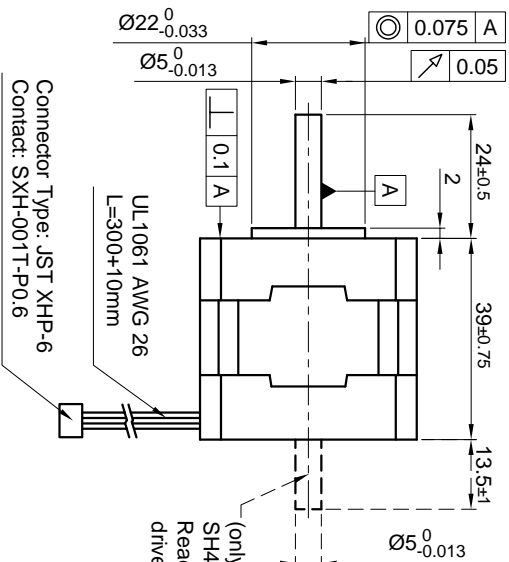


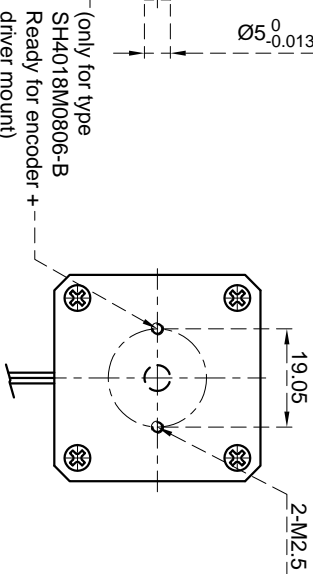
Front view and mounting



Side view

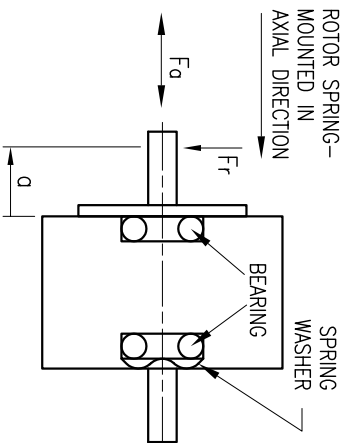


Rear view



SPECIFICATION	UNIPOLAR OR BIPOLAR-1 WINDING	BIPOLAR SERIAL
VOLTAGE (VDC)	6	8.48
AMPS/PHASE	0.8	0.57
RESISTANCE/PHASE (Ohms)@25°C	7.5±15%	15±15%
INDUCTANCE/PHASE (mH) @1KHz	7.5±20%	30±20%
HOLDING TORQUE (Nm) [lb-in]	0.16 [1.416]	0.226 [2.0]
DETENT TORQUE (Nm) [lb-in]	4.8x10 <sup>-3</sup> [0.0425]	
STEP ANGLE (°)	1.8	
STEP ACCURACY (NON-ACCUM)	±5%	
ROTOR INERTIA (Kg-m <sup>2</sup> ) [lb-in <sup>2</sup> ]	2.5x10 <sup>-6</sup> [8.54x10 <sup>-3</sup> ]	
WEIGHT (Kg) [lb]	0.22 [0.485]	
TEMPERATURE RISE: MAX.80°C (MOTOR STANDSTILL; FOR 2 PHASE ENERGIZED)		
AMBIENT TEMPERATURE -10°~ 50°C [14°F ~ 122°F]		
INSULATION RESISTANCE 100 Mohm (UNDER NORMAL TEMPERATURE AND HUMIDITY)		
INSULATION CLASS B 130° [266°F]		
DIELECTRIC STRENGTH 500VAC FOR 1 MIN. (BETWEEN THE MOTOR COILS AND THE MOTOR CASE)		
AMBIENT HUMIDITY MAX. 85% (NO CONDENSATION)		

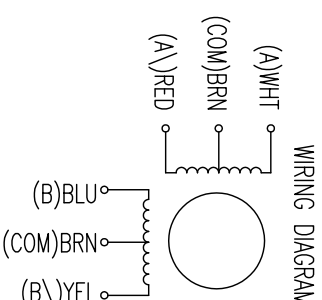
PERMISSIBLE RADIAL+AXIAL FORCE



AXIAL-FORCE Fd (N)	FR	FA
5	10	15
58	36	26
5.0	10	15

STEP	A	B	A\	B\	CCW
1	+	+	-	-	↑
2	-	+	+	-	↑
3	-	-	+	+	↓
4	+	-	-	+	↓

TYPE OF CONNECTION (EXTERN)		MOTOR	
UNIPOLAR	BIPOLAR	CONNECTOR PIN NO.	LEADS
A --- COM	A --- COM	1	WHT
A\ --- COM	A\ --- COM	5	BRN
B --- COM	B --- COM	3	RED
B\ --- COM	B\ --- COM	2	BLU
		6	BRN
		4	YEL
			A --- COM
			A\ --- COM
			B --- COM
			B\ --- COM



NANOTEC:

SH4018M0806

SCALE	FREE	APVD	CHKD	DRN	SIGNATURE	DATE
X	±0.5					
1pL	±0.2					
2pL	±0.1					
ANGLE	±30°					

STEPPING MOTOR

SH4018M0806