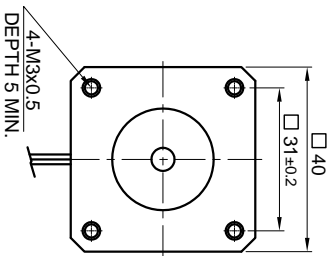
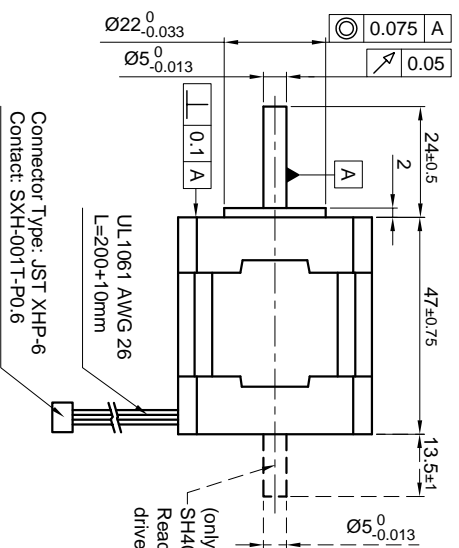


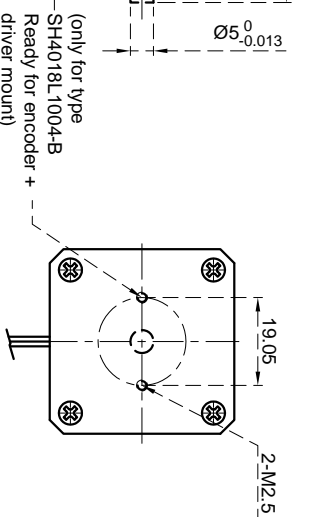
Front view and mounting



Side view

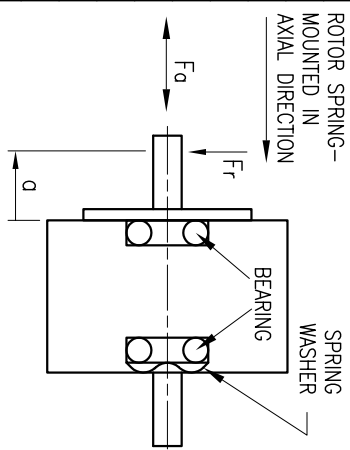


Rear view



SPECIFICATION	CONNECTION	BIPOLAR
VOLTAGE (VDC)		4.5
AMPS/PHASE		1.0
RESISTANCE/PHASE (Ohms)@25°C		4.5±15%
INDUCTANCE/PHASE (mH) @1KHz		7.2±20%
HOLDING TORQUE (Nm) [lb-in]		0.26 [2.301]
DETENT TORQUE (Nm) [lb-in]		7.8x10 <sup>-3</sup> [0.069]
STEP ANGLE (°)		1.8
STEP ACCURACY (NON-ACCUM)		±5%
ROTOR INERTIA (Kg-m <sup>2</sup> ) [lb-in <sup>2</sup> ]		3.5x10 <sup>-6</sup> [0.012]
WEIGHT (Kg) [lb]		0.30 [0.662]
TEMPERATURE RISE: MAX.80°C (MOTOR STANDSTILL; FOR 2 PHASE ENERGIZED)		
AMBIENT TEMPERATURE -10°~ 50°C [14°F ~ 122°F]		
INSULATION RESISTANCE 100 Mohm (UNDER NORMAL TEMPERATURE AND HUMIDITY)		
INSULATION CLASS B 130° [266°F]		
DIELECTRIC STRENGTH 500VAC FOR 1 MIN. (BETWEEN THE MOTOR COILS AND THE MOTOR CASE)		
AMBIENT HUMIDITY MAX. 85% (NO CONDENSATION)		

PERMISSIBLE RADIAL+AXIAL FORCE

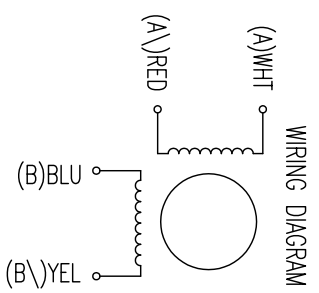


AXIAL-FORCE Fa (N)	FR	FR	FR	FR
5	10	15	20	20
58	36	26	20	20
0.075	0.075	0.025		
10	5.0			

TYPE OF CONNECTION (EXTERN)	MOTOR	CONNECTOR PIN NO.	LEADS	WINDING
BIPOLAR	A ---	1	WHT	A
	A \---	3	RED	A \
	B ---	2	BLU	B
	B \---	4	YEL	B \

FULL STEP 2 PHASE-EX., WHEN FACING MOUNTING END (X)

STEP	A	B	A \	B \	CCW	CW
1	+	+	-	-	←	→
2	-	+	+	-	→	←
3	-	-	+	+	←	→
4	+	-	-	+	→	←



REV	DESCRIPTION	DATE	APVD	SH4018L1004	SCALE FREE	APVD	DATE	SH4018L1004
					±0.5	<b>S.K.</b>	04.07.06	
					1pL ±0.2	CHKD		
					2pL ±0.1	DRN		
					ANGLE ±30°	<b>J.W.</b>	04.07.06	
						SIGNATURE		
								DWG:NO
								SH4018L1004

STEPPING MOTOR

NANOTEC: