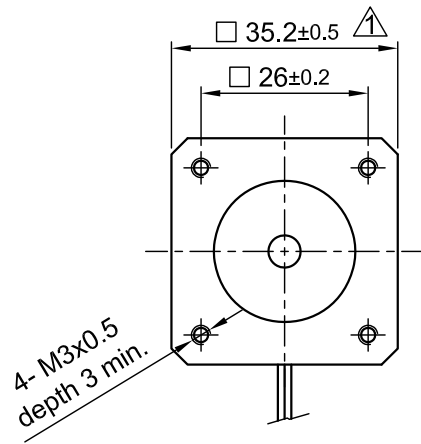
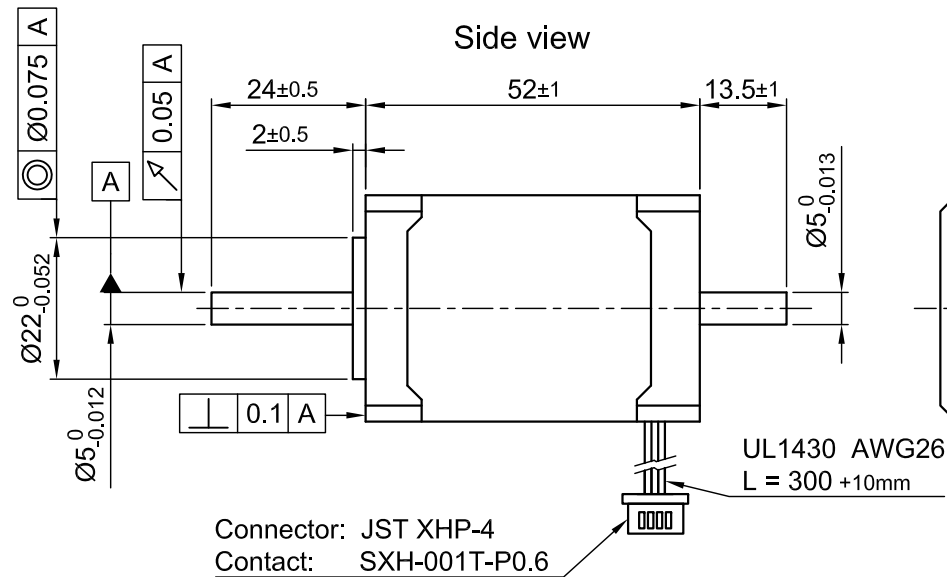


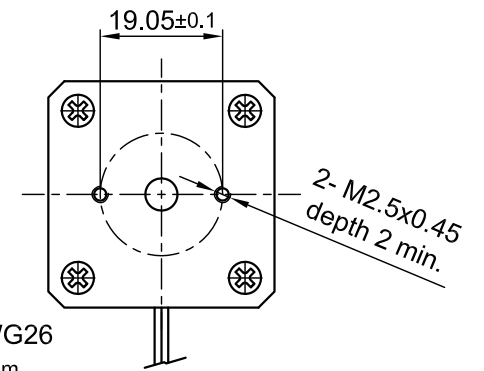
Front view and mounting



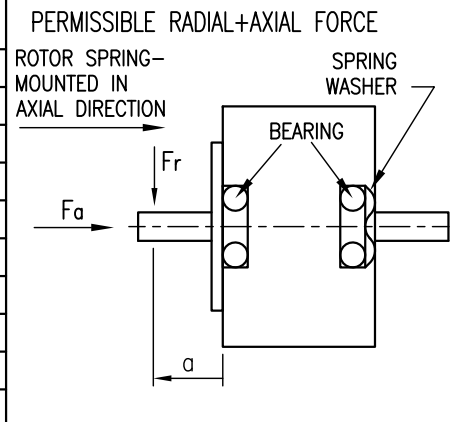
Side view



Rear view



SPECIFICATION	CONNECTION	BIPOLAR
VOLTAGE (VDC)		4.08
AMPS/PHASE		1.2
RESISTANCE/PHASE (Ohms)@25°C		3.4±15%
INDUCTANCE/PHASE (mH) @1KHz		4.5±20%
HOLDING TORQUE (Nm) [lb-in]		0.23 [2.04]
DETENT TORQUE (Nm) [lb-in]		1.15x10 ⁻² [0.102]
STEP ANGLE (°)		1.8
STEP ACCURACY (NON-ACCUM)		±5%
ROTOR INERTIA (Kg-m ²) [lb-in ²]		4.3x10 ⁻⁶ [0.148]
WEIGHT (Kg) [lb]		0.3 [0.67]
TEMPERATURE RISE: MAX.80°C (MOTOR STANDSTILL; FOR 2 PHASE ENERGIZED)		
AMBIENT TEMPERATURE -10~ 50°C [14°F ~ 122°F]		
INSULATION RESISTANCE 100 MOhm (UNDER NORMAL TEMPERATURE AND HUMIDITY)		
INSULATION CLASS B 130° [266°F]		
DIELECTRIC STRENGTH 500VAC FOR 1 MIN. (BETWEEN THE MOTOR COILS AND THE MOTOR CASE)		
AMBIENT HUMIDITY MAX. 85% (NO CONDENSATION)		

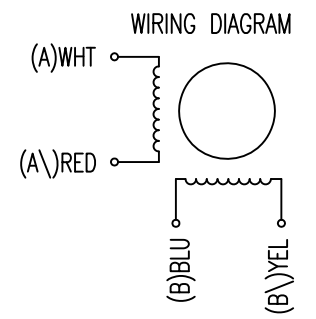


AXIAL-FORCE Fa (N)	Fa=10			
DISTANCE a (mm)	5	10	15	20
RADIAL-FORCE Fr (N)	58	36	26	20
	AXIAL	RADIAL		
SHAFT PLAY (mm)	0.08	0.02		
AT LOAD MAX: (N)	4.5	4.5		

TYPE OF CONNECTION (EXTERN)	MOTOR			
	BIPOLAR	CONNECTOR PIN NO.	LEADS	WINDING
A —	1	WHT	A	
A\ —	2	RED	A\	
B —	3	BLU	B	
B\ —	4	YEL	B\	

FULL STEP 2 PHASE-Ex., WHEN FACING MOUNTING END (X)

STEP	A	B	A\	B\	CCW	CW
1	+	+	-	-	↓	↑
2	-	+	+	-	↓	↑
3	-	-	+	+	↓	↑
4	+	-	-	+	↓	↑



				Nanotec PLUG & DRIVE			APVD	S.Ha.	07.10.09	STEPPING MOTOR
				Surface specification	General tolerances	Work piece edge	CHKD			
1	revise drawing	21.09.16	A.S.	DIN ISO 1302	DIN ISO 2768- cH	DIN ISO 13715	DRN	J.W.	07.10.09	DWG.NO
REV	DESCRIPTION	DATE	DRN				SIGNATURE		DATE	ST3518L1204-B