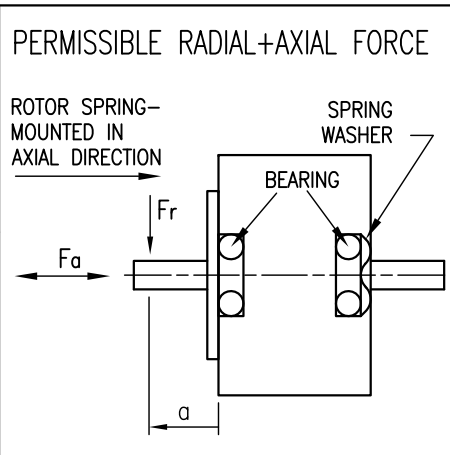
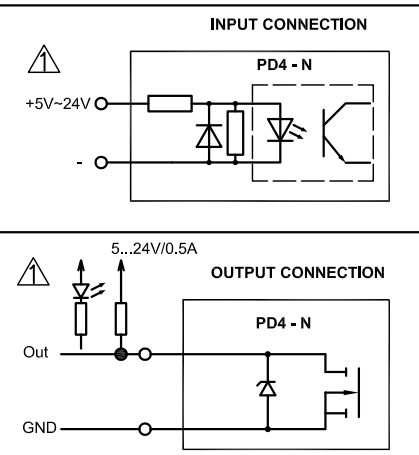


SPECIFICATION	CONNECTION	BIPOLAR PARALLEL
SUPPLY VOLTAGE (VDC)		12 TO 48
AMPS/PHASE		* UP TO 4.8 (100%=3.2)
HOLDING TORQUE (Nm) [lb-in]		1.98 [17.52]
DETENT TORQUE (Nm) [lb-in]		0.068 [0.602]
STEP ANGLE (°) ± ACCURACY		* 1.8 TO MICROSTEP
WEIGHT (Kg) [lb]		1.22 [6.54]
* ADJUSTABLE WITH NANOPRO.		



M12 CONNECTOR 17 POLE	
Funktion	Pin No.
OUTPUT 1	1
OUTPUT 2	8
OUTPUT 3	3
ANALOG INPUT	4
+UB EXTERN	5
GND (W001)	6
RS485 Tx+	7
RS485 Tx-	10
RS485 Rx-	9
RS485 Rx+	2
INPUT 1	11
INPUT 2	12
INPUT 3	13
INPUT 4	14
INPUT 5	15
INPUT 6	16
NC	17

M12 CONNECTOR 5 POLE	
Funktion	Pin No.
12-48 V	1
12-48 V	2
POWER GND	3
POWER GND	4
N.C.	5

OVERTEMPERATURE PROTECTION (ELECTRONICS): 80°C			
AMBIENT TEMPERATURE -10~ 50°C [14°F ~ 122°F]			
INSULATION RESISTANCE 100 MOhm (UNDER NORMAL TEMPERATURE AND HUMIDITY)			
INSULATION CLASS B 130° [266°F]			
DIELECTRIC STRENGTH 500VAC FOR 1 MIN. (BETWEEN THE MOTOR COILS AND THE MOTOR CASE)			
AMBIENT HUMIDITY MAX. 85% (NO CONDENSATION)			

AXIAL-FORCE Fa (N)	Fa=10			
DISTANCE a (mm)	5	10	15	20
RADIAL-FORCE Fr (N)	130	90	70	52
	AXIAL	RADIAL		
SHAFT PLAY (mm)	0.08	0.02		
AT LOAD MAX: (N)	4.5	4.5		

3	NEW DIMENSION+TOLERANCE	29.11.10.	J.W.
5	PIN ASSIGNMENT	11.01.11.	J.W.
4	NEW VALUE OF SUPPLY VOLTAGE	15.12.10.	J.W.
REV	DESCRIPTION	DATE	APVD



PD4-N5918L4204-IP-2

SCALE FREE	APVD	S.H.	12.07.10
X ±0.5	CHKD		
1PL ±0.2	DRN	J.W.	12.07.10
2PL ±0.1	SIGNATURE	DATE	
ANGLE ±30'			

PLUG&DRIVE MOTOR	
DWG.NO	PD4-N5918L4204-IP-2