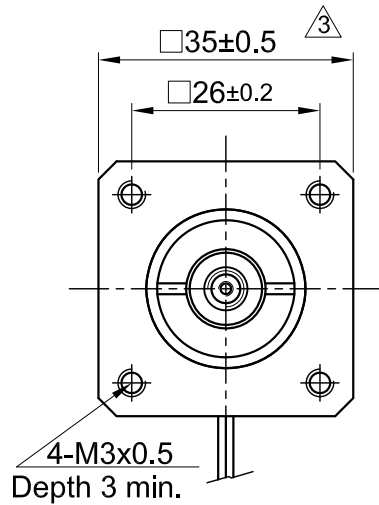
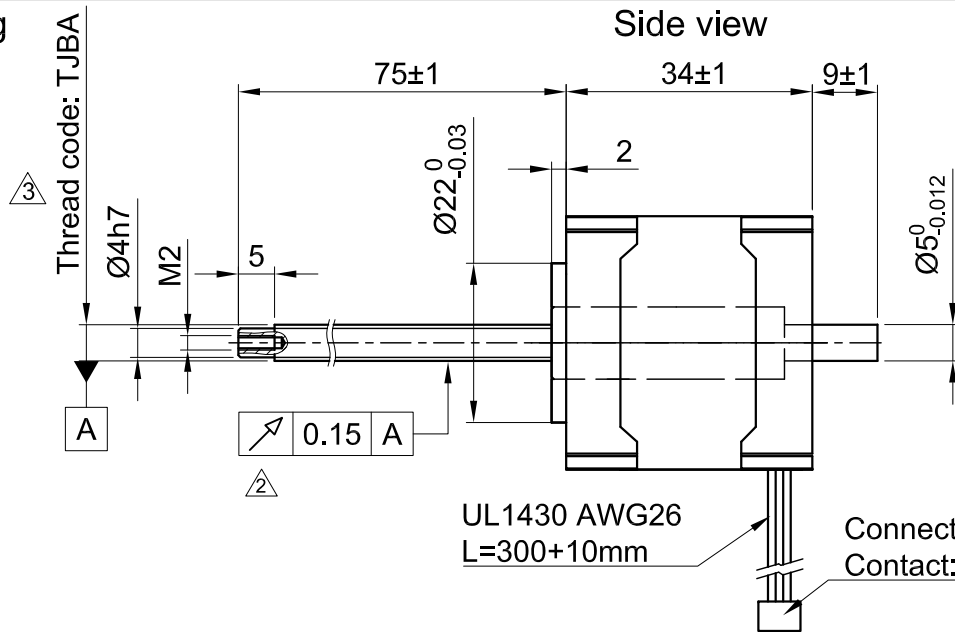


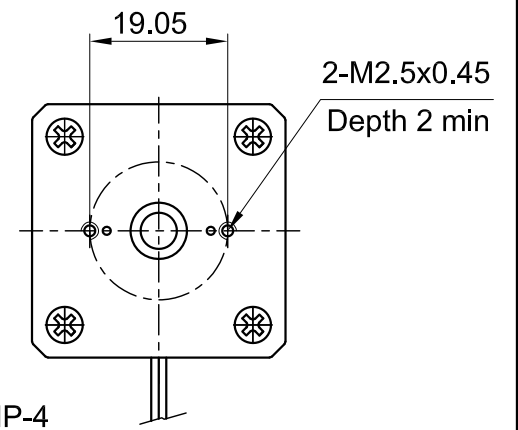
Front view and mounting



Side view



Rear view



Connector Type: JST XHP-4
Contact: SXH-001T-P0.6

SPECIFICATION	CONNECTION	BIPOLAR
AMPS/PHASE		1.2
RESISTANCE/PHASE (Ohms)@25°C		1.85±15% \triangle ₃
INDUCTANCE/PHASE (mH) @1KHz		2.0±20% \triangle ₃
SPINDLE LEAD (mm) [in]	\triangle ₃	1 [0.039] \triangle ₃
THRUST (N) (lb)		240 [53.95] \triangle ₁ \triangle ₃
RESOLUTION (mm/STEP)		0.005
STATIC THRUST(N)(NO CURRENT)		>240 \triangle ₁
MAX. SPEED (mm/sec.) at 48V		50 \triangle ₁
MAX. SPEED WITH MAX. TRUST (mm/sec.)		5 \triangle ₁
WEIGHT (Kg) [lb]		0.15[0.331]
TEMPERATURE RISE: MAX.80°C (MOTOR STANDSTILL; FOR 2 PHASE ENERGIZED)		
AMBIENT TEMPERATURE -10~ 50°C [14°F ~ 122°F]		
INSULATION RESISTANCE 100 MOhm (UNDER NORMAL TEMPERATURE AND HUMIDITY)		
INSULATION CLASS B 130° [266°F]		
DIELECTRIC STRENGTH 500VAC FOR 1 MIN. (BETWEEN THE MOTOR COILS AND THE MOTOR CASE)		
AMBIENT HUMIDITY MAX. 85% (NO CONDENSATION)		

Please regard the application noten at www.nanotec.com for further informations.

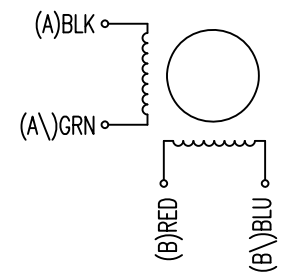
Shaft play is adjustable at the motor.

PIN NO	TYPE OF CONNECTION (EXTERN)		MOTOR	
	BIPOLAR	LEADS	WINDING	
1	A —	BLK	A	
2	A \	GRN	A \	
3	B —	RED	B	
4	B \	BLU	B \	

WIRING DIAGRAM

FULL STEP 2 PHASE-Ex., WHEN FACING MOUNTING END (X)

STEP	A	B	A \	B \		CCW
1	+	+	-	-		↑
2	-	+	+	-		
3	-	-	+	+		↓
4	+	-	-	+		



3	Screw use TJBA, etc.	27.07.20	X T		APVD	HZQ	13.02.13	LINEAR ACTUATOR		
2	ADD TO RUN-OUT	23.06.16	B.L.		CHKD	GYQ	13.02.13			
1	Change The Data	03.12.13	B.L.		DRN	B.L.	13.02.13			
REV	DESCRIPTION	DATE	DRN	Surface specification DIN ISO 1302	General tolerances DIN ISO 2768-cH	Work piece edge DIN ISO 13715	SIGNATURE	DATE	DWG.NO	LS3518S1204-T6x1-75