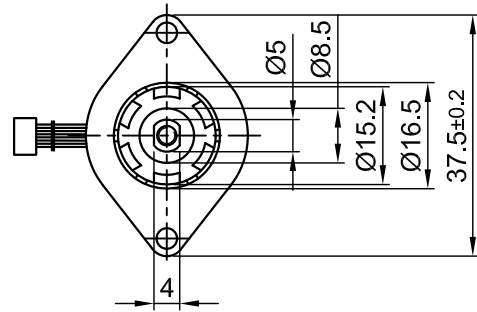
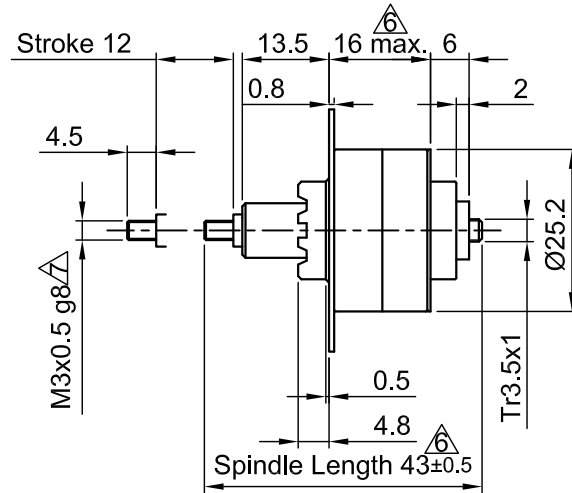


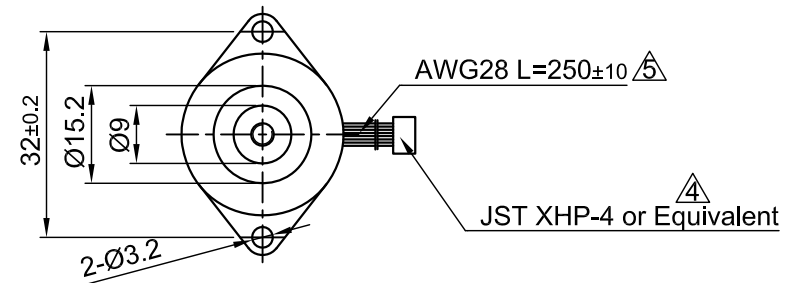
Front view and mounting



Side view



Rear view

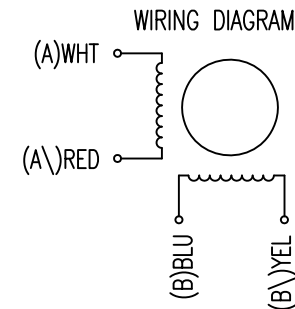


CONNECTION	BIPOLAR	
SPECIFICATION		
VOLTAGE (VDC)	5.0	
AMPS/PHASE	0.1	
INDUCTANCE/PHASE (mH) @1KHz	23.8±20%	△
RESISTANCE/PHASE (Ohms)@25°C	53±8%	
STEP ANGLE (°)	15	
RESOLUTION (mm/STEP)	0.0417	
THRUST (N) @130Hz	5	△ △
STROKE (mm)	12	
WEIGHT (Kg) [lb]	0.04 [0.088]	△
TEMPERATURE RISE: MAX.75°C (MOTOR STANDSTILL; FOR 2 PHASE ENERGIZED)		
AMBIENT TEMPERATURE -10°~ 40°C [14°F ~ 104°F] △		
INSULATION RESISTANCE 100 MOhm (UNDER NORMAL TEMPERATURE AND HUMIDITY)		
INSULATION CLASS E 120° [248°F]		
DIELECTRIC STRENGTH 600VAC FOR 1 MIN. (BETWEEN THE MOTOR COILS AND THE MOTOR CASE)		
AMBIENT HUMIDITY MAX. 85% (NO CONDENSATION)		

FULL STEP 2 PHASE-Ex.,  
WHEN FACING MOUNTING END (X)

STEP	A	B	A\	B\		CCW
1	+	+	-	-		
2	-	+	+	-		
3	-	-	+	+		
4	+	-	-	+		

TYPE OF CONNECTION (EXTERN)	MOTOR		
	CONNECTOR PIN NO.	LEADS	WINDING
BIPOLAR	1	WHT	A
	2	RED	A\
	3	BLU	B
	4	YEL	B\



6	NEW VALUES OF THRUST+LENGTH	28.02.11	J.W.
5	NEW TOLERANCE+AMBIENT TEM.+WEIGHT	12.04.10	J.W.
7	TOLERANCE FOR SCREW THREADE ADD	20.09.11	J.W.
REV	DESCRIPTION	DATE	APVD



LPV2515S0104-Tr3.5X1

SCALE FREE	APVD	S.R.	12.09.07
X ±0.5	CHKD		
1PL ±0.2	DRN	J.W.	17.07.07
2PL ±0.1	SIGNATURE	DATE	
ANGLE ±30'			

LINEAR ACTUATOR	
DWG.NO	LPV2515S0104-Tr3,5X1