



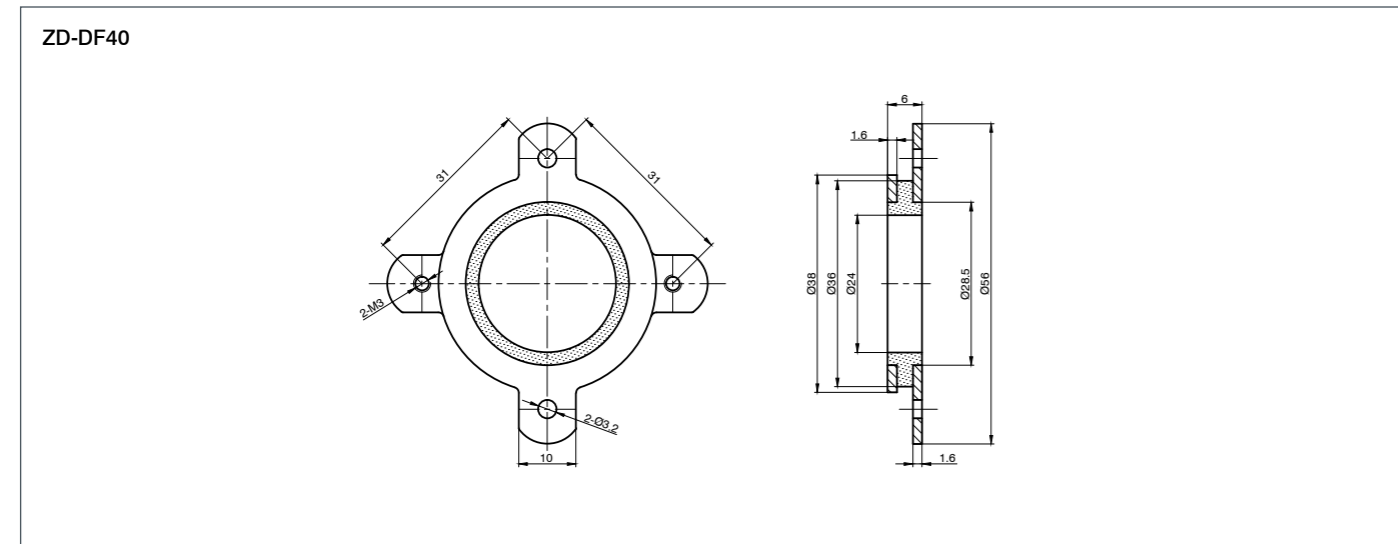
DESCRIPTION

Between the two flange rings, the ZD-DF damper has a layer of vulcanized-on rubber for suppressing body-borne sound, which can be reduced by approx. 3-10 dB(A), depending on the frequency. Owing to the different sound velocity of steel/air/rubber (5000/331/50 m/s) as well as its damping oscillation tendency, the ZD-DF... damper provides a low-cost noise damping solution.

VERSIONS

Type	Corresponding Motors
ZD-DF40	ST41, ST42
ZD-DF56	ST59

DIMENSIONS (IN MM)



DIMENSIONS (IN MM)

