

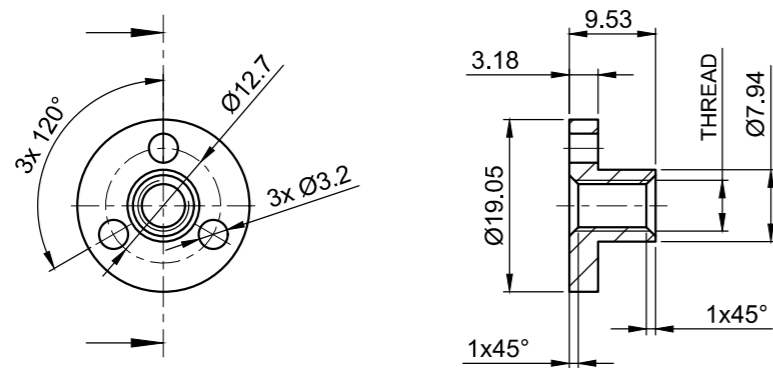


VERSIONS

Type	Thread Code	Thread Type	Thread Diameter mm	Thread Lead mm	Number of Threads	Corresponding Motors	Bolt Circle mm	Mounting Hole Diameter mm
LSNUT-AAAA-TDBA	TDBA	Trapezoidal Thread	3.5	1	1	LSA-...-TDBA	12.7	3.2
LSNUT-AAAA-UGAQ	UGAQ	ACME Thread	4.76	0.635	1	LSA-...-UGAQ	12.7	3.2
LSNUT-AAAA-UGFC	UGFC	ACME Thread	4.76	5.08	4	LSA-...-UGFC	12.7	3.2
LSNUT-AAAA-THCA	THCA	Trapezoidal Thread	5	2	1	LSA-...-THCA	12.7	3.2
LSNUT-AAAAE-UIAP	UIAP	ACME Thread	5.56	0.6096	1	LSA-...-UIAP	19.05	3.6
LSNUT-AAAAE-TJBA	TJBA	Trapezoidal Thread	6	1	1	LSA-...-TJBA	19.05	3.6
LSNUT-AAAAE-TJCA	TJCA	Trapezoidal Thread	6	2	2	LSA-...-TJCA	19.05	3.6
LSNUT-AAAAE-UKAS	UKAS	ACME Thread	6.35	0.794	1	LSA-...-UKAS	19.05	3.6
LSNUT-AAAAE-UKBN	UKBN	ACME Thread	6.35	1.588	1	LSA-...-UKBN	19.05	3.6
LSNUT-AAAAE-UKDE	UKDE	ACME Thread	6.35	3.175	2	LSA-...-UKDE	19.05	3.6
LSNUT-AAAAE-UKGI	UKGI	ACME Thread	6.35	6.35	4	LSA-...-UKGI	19.05	3.6

DIMENSIONS (IN MM)

LSNUT NEMA 8/11



DIMENSIONS (IN MM)

LSNUT NEMA 14/17

