



OPTIONS



DESCRIPTION

High-torque stepper motor with PG fitting in size NEMA 34 (89 mm), with protection class IP65 (except shaft outlet) and 1.8° step angle (full step). Identical flange size as the standard motor ST8918, therefore electrically and mechanically interchangeable. Available in a variety of versions.

VERSIONS

Type	Current per Winding A	Holding Torque Ncm	Resistance per Winding Ohm	Inductance per Winding mH	Rotor Inertia gcm ²	Weight kg	Length „A“ mm	Encoder	Brake
AS8918L9504-E24	9.5	933	0.26	2.7	3000	4.35	148	✓	-
AS8918L9504-E24B	9.5	933	0.26	2.7	3000	5	218	✓	✓

ORDER IDENTIFIER

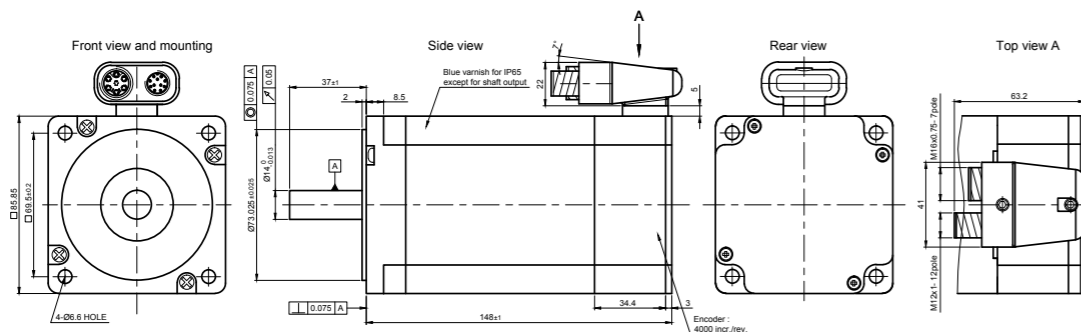
AS8918L9504-E24 = with 24-V encoder
E24B = with 24-V encoder and brake

ACCESSORIES

ZK-M12-12-2M-1-AFF
Encoder Cable straight 2 m
ZK-TW-7-2M Motor Cable straight 2 m

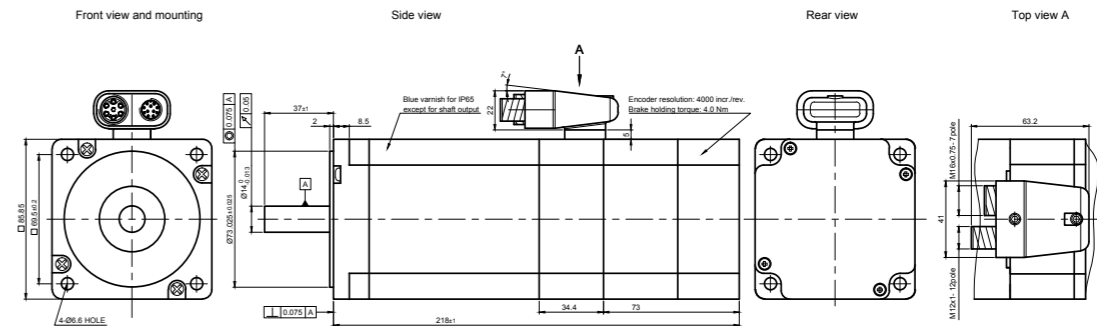
DIMENSIONS (IN MM)

AS8918L9504-E24



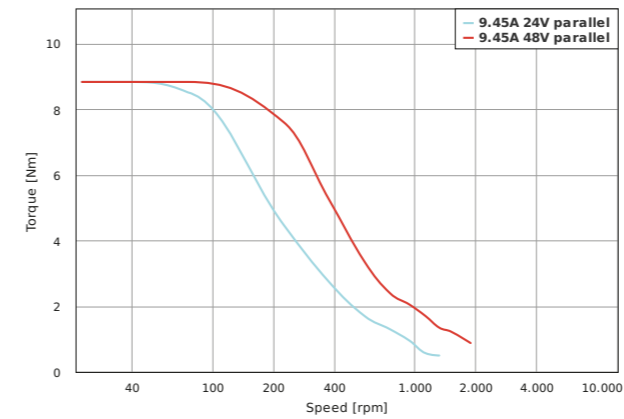
DIMENSIONS (IN MM)

AS8918L9504-E24B



TORQUE CURVES

AS8918L9504-E24



AS8918L9504-E24B

