



OPTIONS



DESCRIPTION

High-torque stepper motor with M12 connector in size NEMA 23 (56 mm), with protection class IP65 (except shaft outlet) and 1.8° step angle (full step). Identical flange size as the standard motor ST5918, therefore electrically and mechanically interchangeable. Available in a variety of versions.

VERSIONS

Type	Current per Winding A	Holding Torque Ncm	Rotor Inertia gcm ²	Resistance per Winding Ohm	Inductance per Winding mH	Length „A“ mm	Weight kg	Encoder	Brake
AS5918S2804	2.83	99	230	0.75	2.6	73	0.8	-	-
AS5918S2804-E	2.83	99	230	0.75	2.6	73	0.8	✓	-
AS5918M2804	2.82	124	300	0.85	2.5	77	0.85	-	-
AS5918M2804-E	2.82	124	300	0.85	2.5	77	0.85	✓	-
AS5918L4204	4.2	187	480	0.58	1.9	98	1.14	-	-
AS5918L4204-E	4.2	187	480	0.58	1.9	98	1.14	✓	-
AS5918L4204-EB	4.2	187	480	0.58	1.9	138	1.33	✓	✓
AS5918L4204-ENM24	4.2	187	480	0.58	1.9	98	1.14	✓	-
AS5918L4204-ENM24B	4.2	187	480	0.58	1.9	138	1.33	✓	✓

ORDER IDENTIFIER

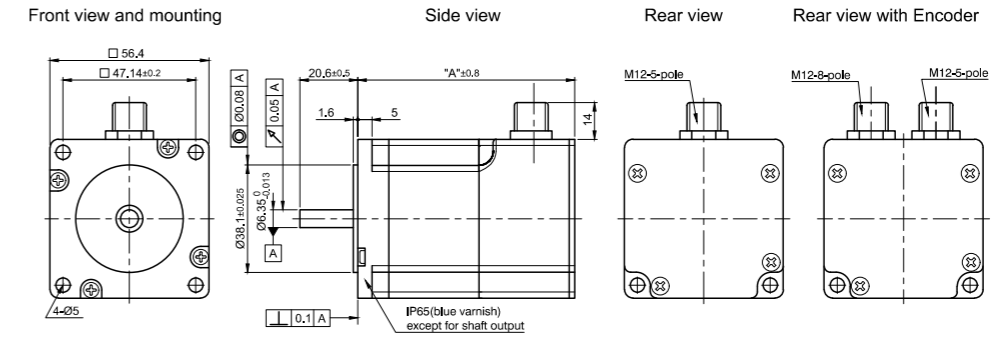
AS5918L4204-
 E = with encoder
 EB = with encoder and brake
 ENM24 = with 24-V encoder
 ENM24B = with 24-V encoder and brake

ACCESSORIES

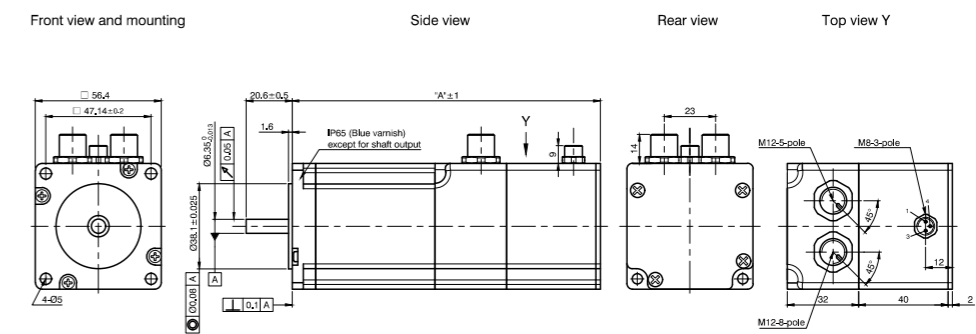
ZK-M8-3-2M-1-AFF
 Brake Cable straight 2 m
ZK-M12-5-2M-1-AFF
 Motor Cable straight 2 m
ZK-M12-5-2M-2-AFF
 Motor Cable angled 2 m
ZK-M12-5-5M-1-AFF
 Motor Cable straight 5 m
ZK-M12-5-5M-2-AFF
 Motor Cable angled 5 m
ZK-M12-8-2M-1-AFF
 Encoder Cable straight 2 m
ZK-M12-8-2M-2-AFF
 Encoder Cable angled 2 m
ZK-M12-8-5M-1-AFF
 Encoder Cable straight 5 m
ZK-M12-8-5M-2-AFF
 Encoder Cable angled 5 m
ZK-M12-8-2M-2-PADP
 Encoder Cable angled 2 m

DIMENSIONS (IN MM)

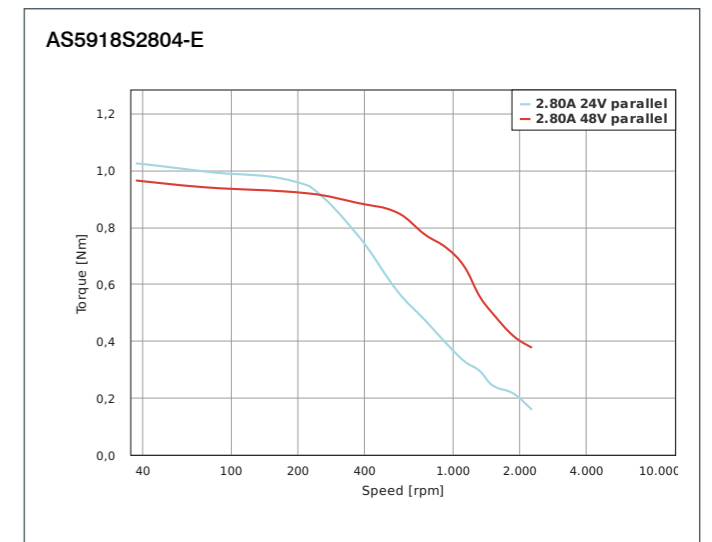
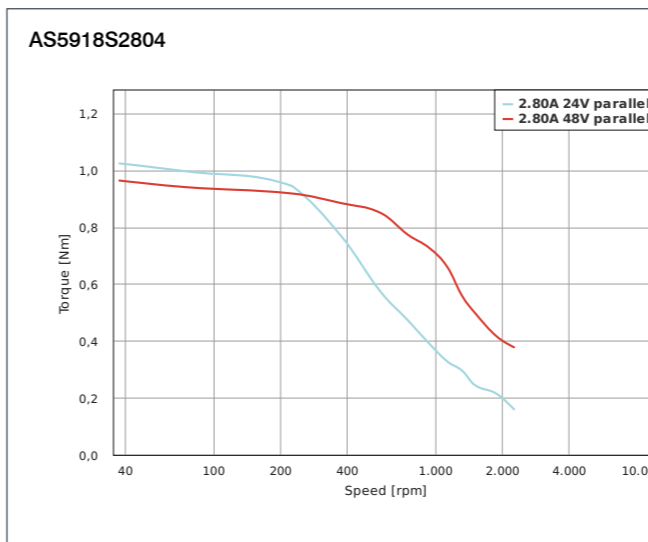
AS5918.../AS5918...-E/-ENM24



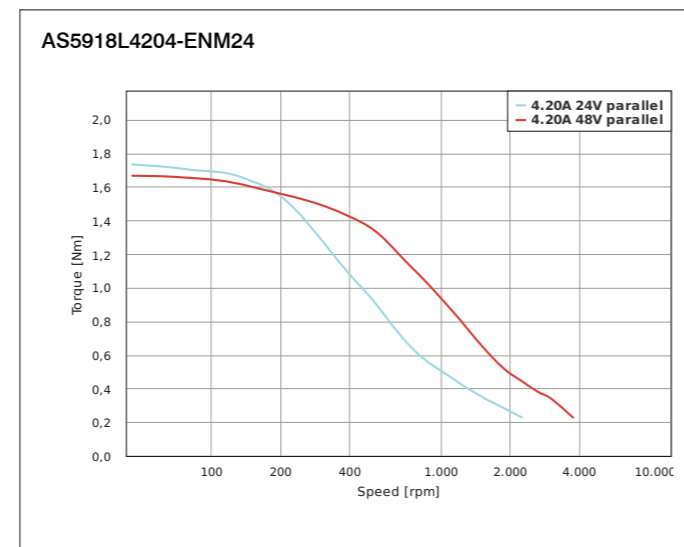
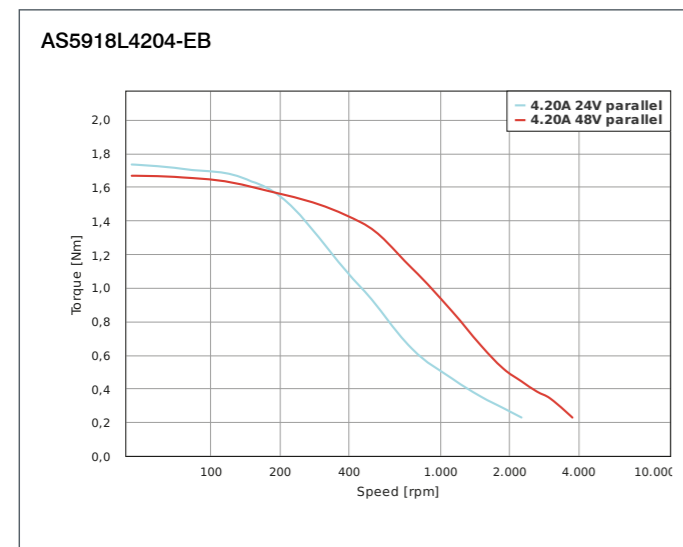
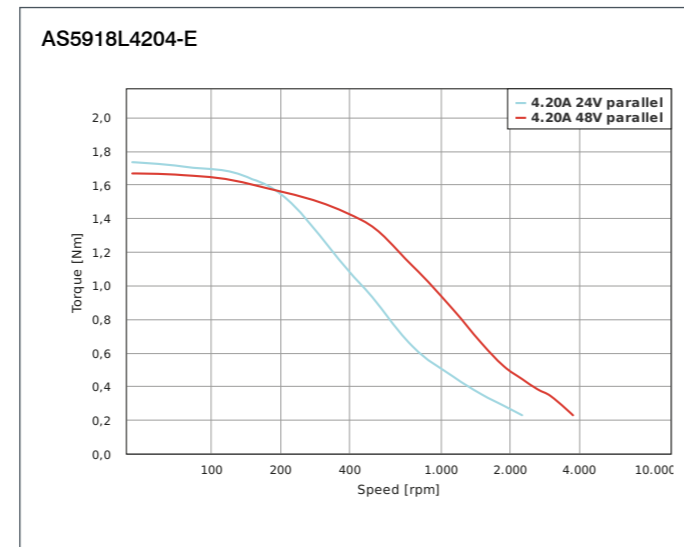
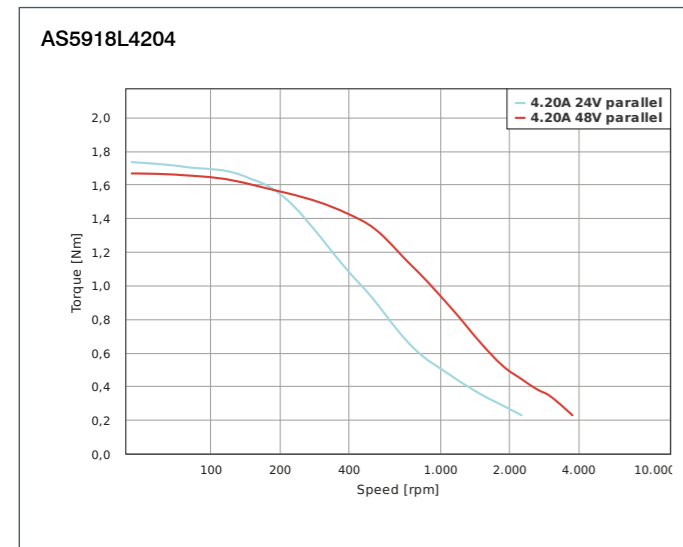
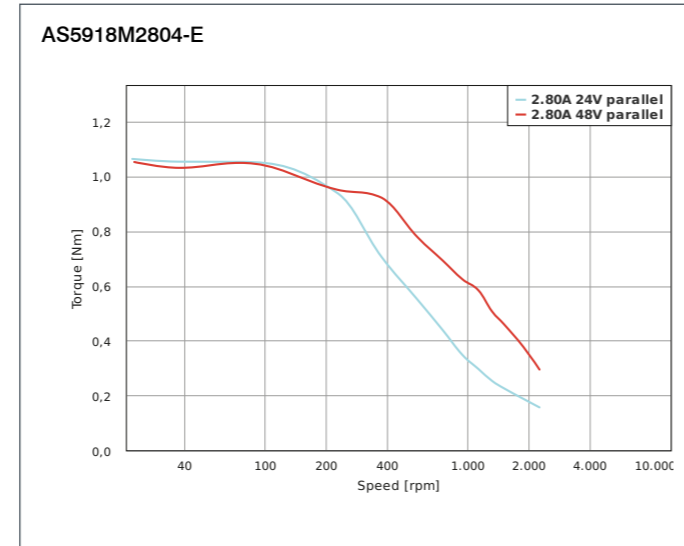
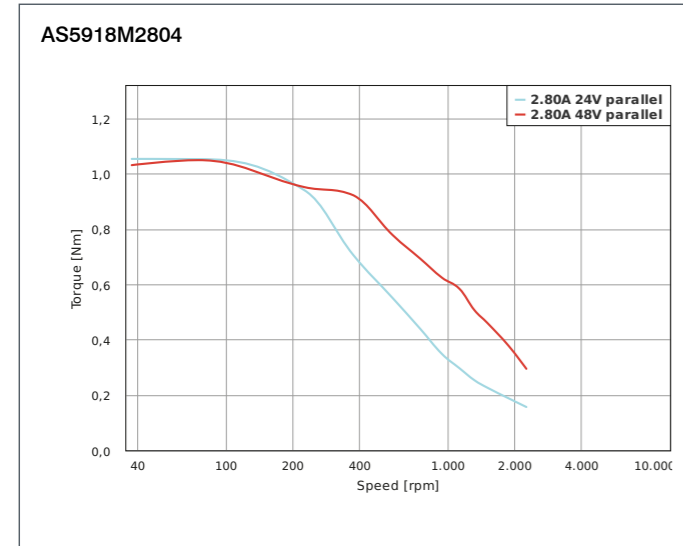
AS5918L...-EB/-ENM24B



TORQUE CURVES



TORQUE CURVES



TORQUE CURVES

