



### OPTIONS



### DESCRIPTION

High-torque stepper motor with M12 connector in size NEMA 17 (42 mm), with protection class IP65 (except shaft outlet) and 1.8° step angle (full step). Identical flange size as the standard motor ST4118, therefore electrically and mechanically interchangeable. Available in a variety of versions.

### VERSIONS

Type	Current per Winding A	Holding Torque Ncm	Rotor Inertia gcm <sup>2</sup>	Resistance per Winding Ohm	Inductance per Winding mH	Length „A“ mm	Weight kg	Encoder	Brake
AS4118L1804	1.8	50	82	1.75	3.3	70.4	0.34	-	-
AS4118L1804-E	1.8	50	82	1.75	3.3	70.4	0.34	✓	-
AS4118L1804-EB	1.8	50	82	1.75	3.3	108.4	0.42	✓	✓
AS4118L1804-ENM24	1.8	50	82	1.75	3.3	70.4	0.34	✓	-
AS4118L1804-ENM24B	1.8	50	82	1.75	3.3	108.4	0.42	✓	✓

### ORDER IDENTIFIER

**AS4118L1804-**  
 E = with encoder  
 EB = with encoder and brake  
 ENM24 = with 24-V encoder

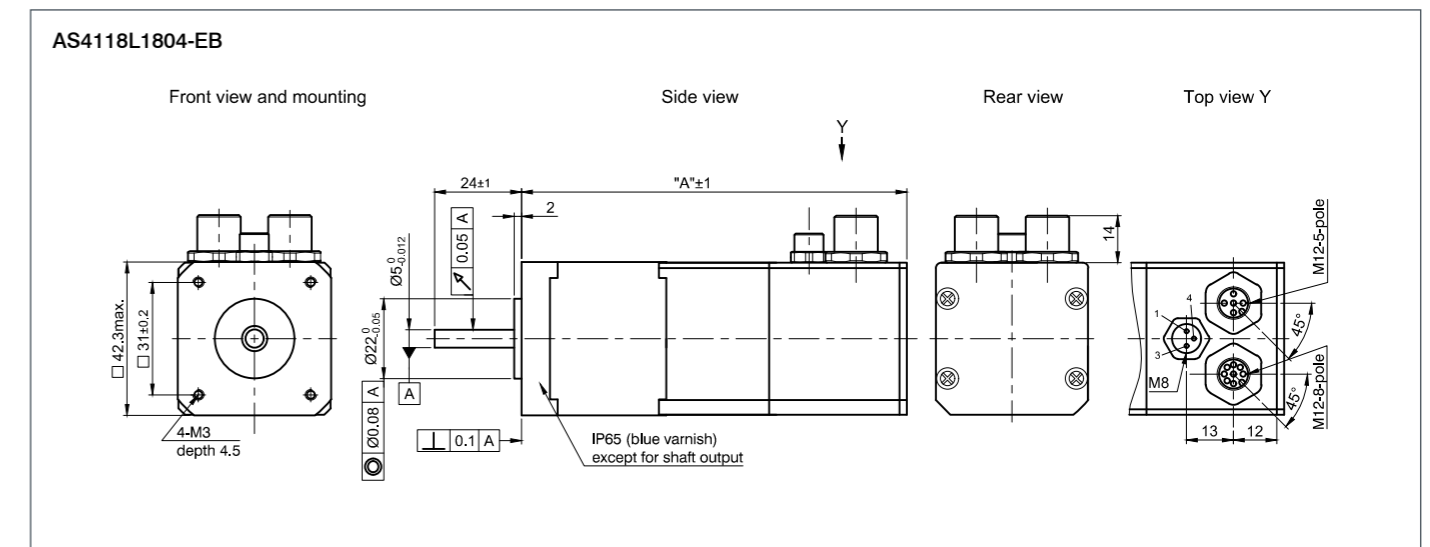
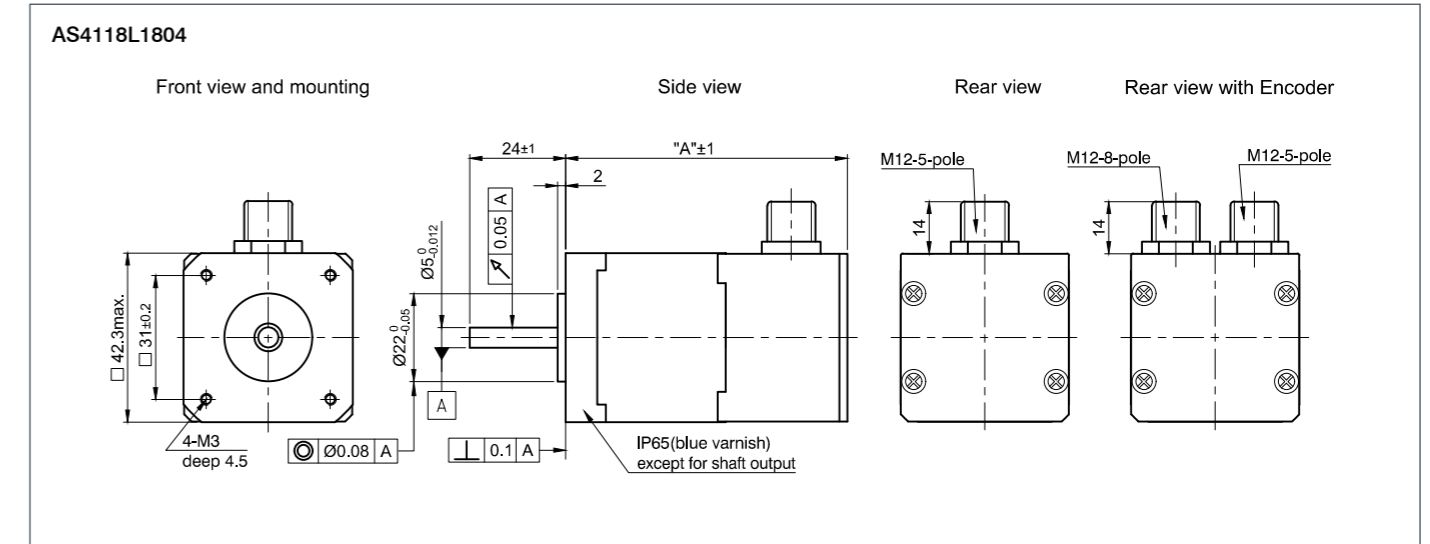


### ACCESSORIES

**ZK-M8-3-2M-1-AFF**  
 Brake Cable straight 2 m  
**ZK-M12-5-2M-1-AFF**  
 Motor Cable straight 2 m  
**ZK-M12-5-2M-2-AFF**  
 Motor Cable angled 2 m  
**ZK-M12-5-5M-1-AFF**  
 Motor Cable straight 5 m  
**ZK-M12-5-5M-2-AFF**  
 Motor Cable angled 5 m  
**ZK-M12-8-2M-1-AFF**  
 Encoder Cable straight 2 m  
**ZK-M12-8-2M-2-AFF**  
 Encoder Cable angled 2 m  
**ZK-M12-8-5M-1-AFF**  
 Encoder Cable straight 5 m  
**ZK-M12-8-5M-2-AFF**  
 Encoder Cable angled 5 m  
**ZK-M12-8-2M-2-PADP**  
 Encoder Cable angled 2 m



### DIMENSIONS (IN MM)



### TORQUE CURVES

