



OPTIONS



SOFTWARE



TECHNICAL DATA

<b>Operating Voltage</b>	12 VDC - 48 VDC
<b>Number of Digital Inputs</b>	6
<b>Type of Digital Inputs</b>	5/24 V switchable
<b>Number of Analog Inputs</b>	1
<b>Type of Analog Input</b>	0-20 mA/0-10 V switchable
<b>Digital Outputs</b>	2
<b>Type of Digital Output</b>	open-drain (max. 24 V/100 mA)
<b>Encoder</b>	✓
<b>Encoder Type</b>	single-turn absolute, multi-turn absolute
<b>Encoder Resolution</b>	1024 CPR
<b>Multiturn Resolution</b>	18 bit

ORDER IDENTIFIER



- PD4-E591L42-E-65-**  
 1 = EtherCAT  
 2 = CANopen  
 3 = EtherNet/IP  
 4 = Modbus TCP  
 5 = Modbus RTU  
 7 = USB,IO (clock direction; analog)

ACCESSORIES



- ZK-USB** Mini USB Cable 1.5 m  
**ZK-M12-5-2M-1-AFF** Modbus RTU in straight 2m  
**ZK-M12-12-2M-1-AFF** IO straight 2m  
**ZK-M12-5-2M-1-B-S** Power straight 2m  
**ZK-M12-5-2M-1-A-S-M** Modbus RTU out straight 2m  
**ZK-M12-4-2M-1-D-RJ45** Modbus TCP straight 2m  
**ZK-M12F-M8M-5-200-S** CAN in straight 0.2m  
**ZK-M12M-M8F-5-200-S** CAN out straight 0.2m  
**ZK-M12M-M12F-5-500-S** CAN in/out straight 0.5m  
**Z-K4700/50** Charging Capacitor

CAUTION



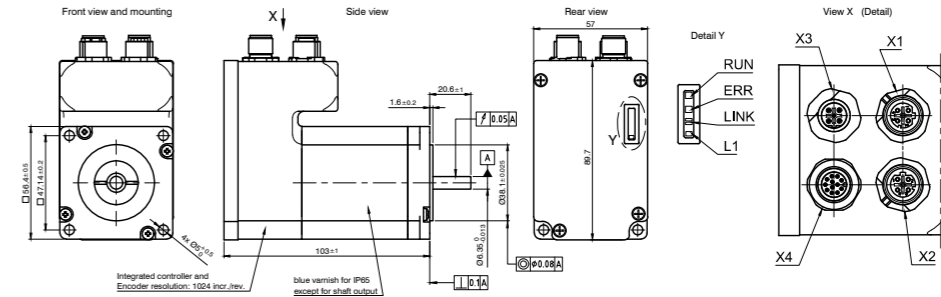
We recommend using a charging capacitor of sufficient size to stabilize the operating voltage.

VERSIONS

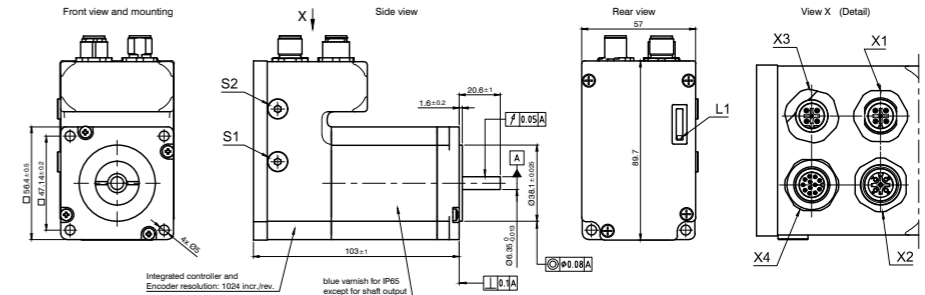
Type	Holding Torque Ncm	Rated Current (RMS) A	Peak Current (RMS) A	Interface	Length mm	Weight kg
PD4-E591L42-E	187	4.2	4.2	EtherCAT, CANopen, Modbus TCP, Modbus RTU, USB, IO (clock direction; analog)	103	1.3
PD4-E591L42-M	187	4.2	4.2	EtherCAT, CANopen	126.5	1.4
PD4-E601L42-E	354	4.2	4.2	EtherCAT, CANopen, Modbus TCP, Modbus RTU, USB, IO (clock direction; analog)	116	1.5

DIMENSIONS (IN MM)

PD4-E591L42-E-65-1

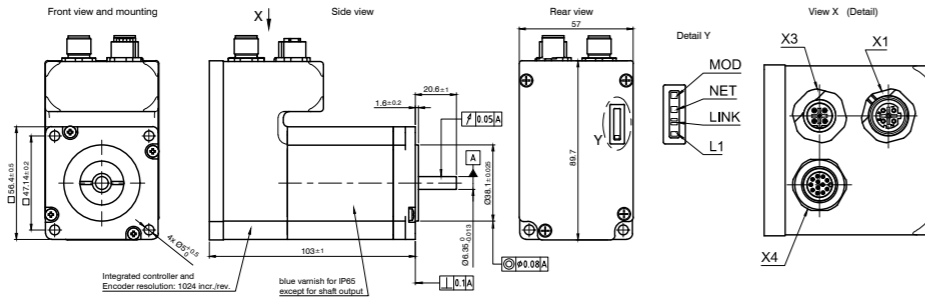


PD4-E591L42-E-65-2



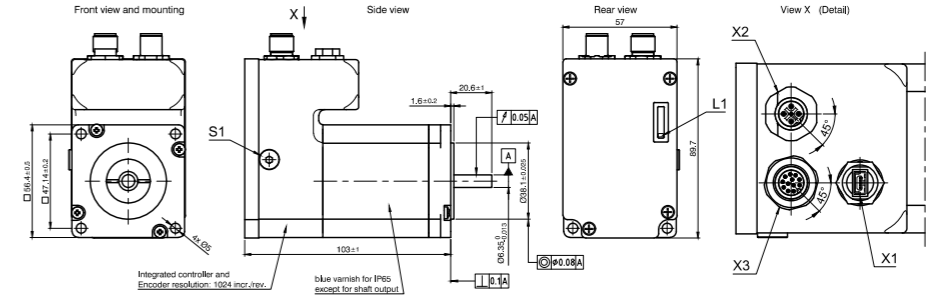
DIMENSIONS (IN MM)

PD4-E591L42-E-65-3

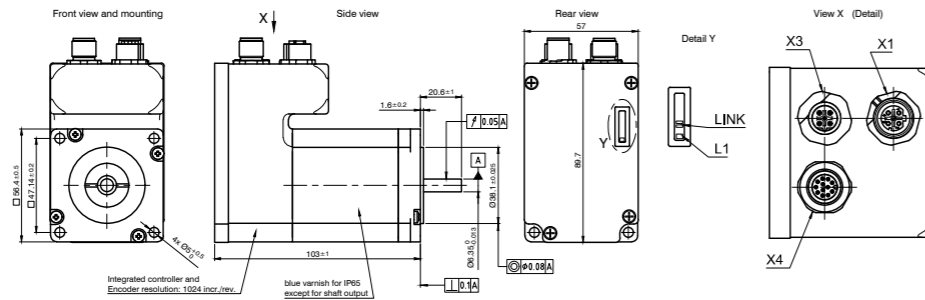


DIMENSIONS (IN MM)

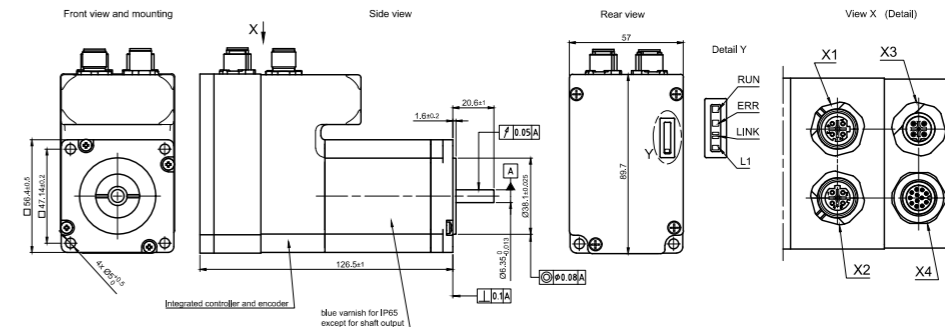
PD4-E591L42-E-65-7



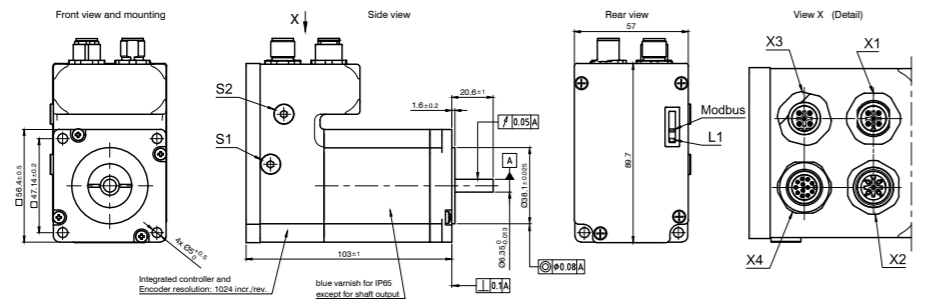
PD4-E591L42-E-65-4



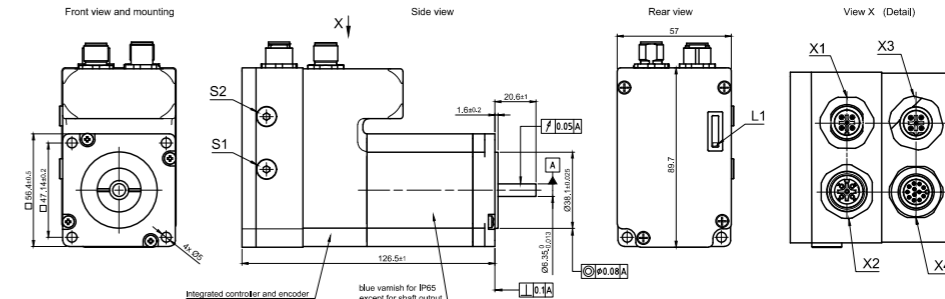
PD4-E591L42-M-65-1



PD4-E591L42-E-65-5

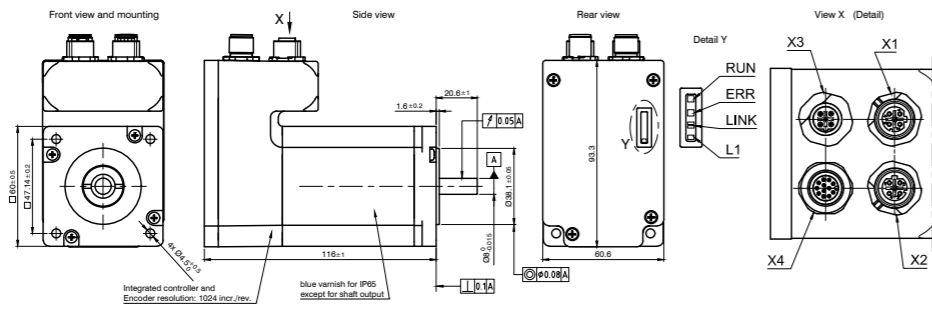


PD4-E591L42-M-65-2



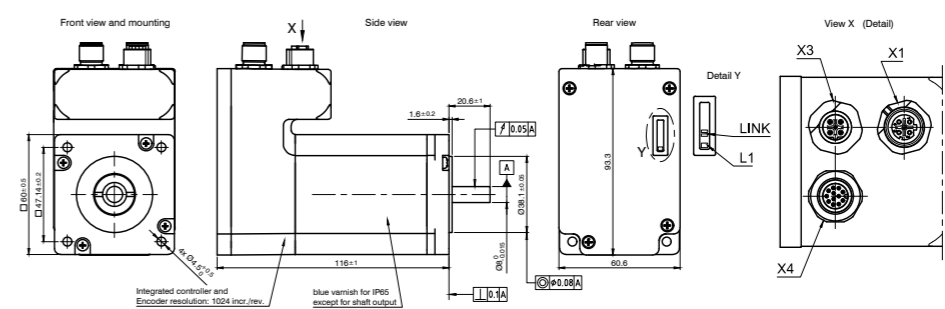
DIMENSIONS (IN MM)

PD4-E601L42-E-65-1

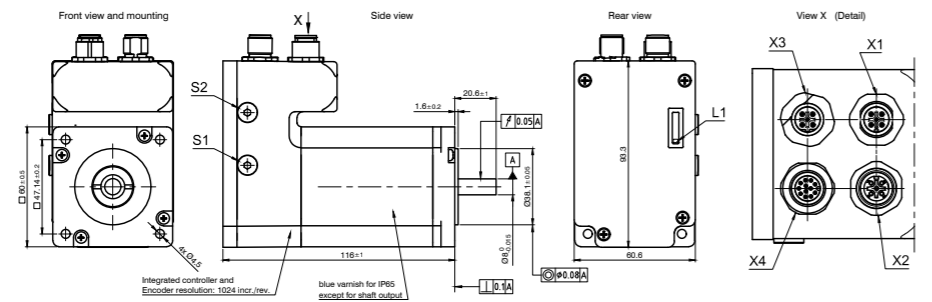


DIMENSIONS (IN MM)

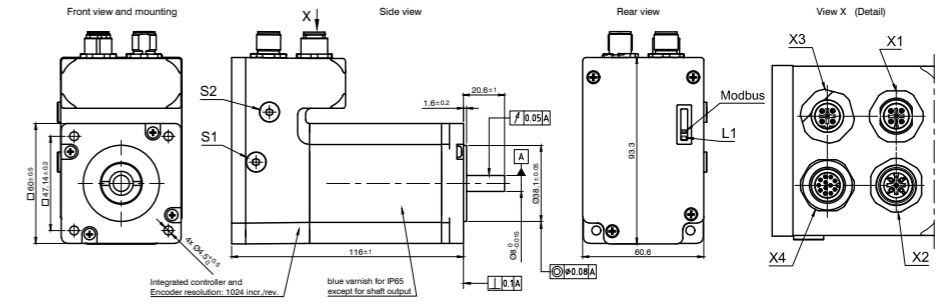
PD4-E601L42-E-65-4



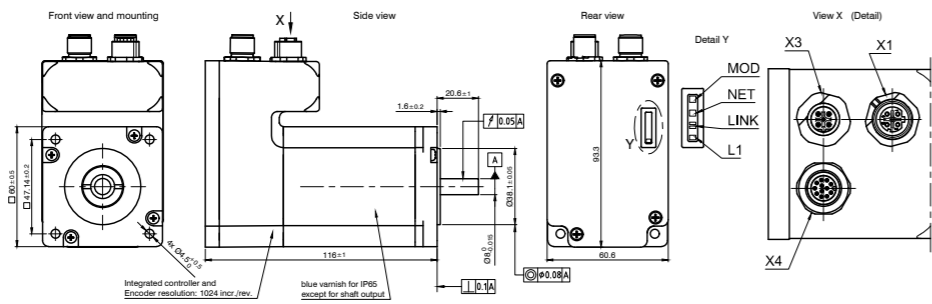
PD4-E601L42-E-65-2



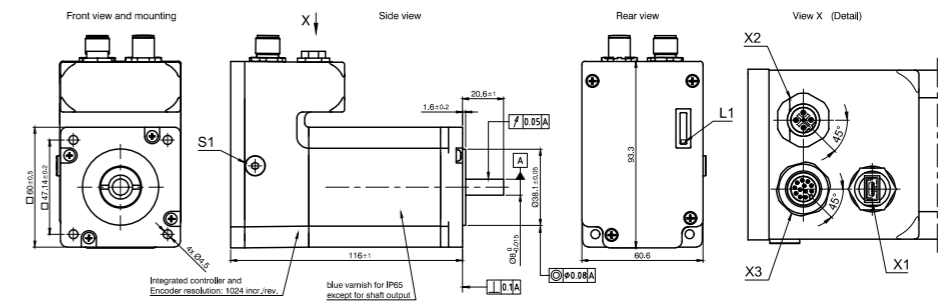
PD4-E601L42-E-65-5



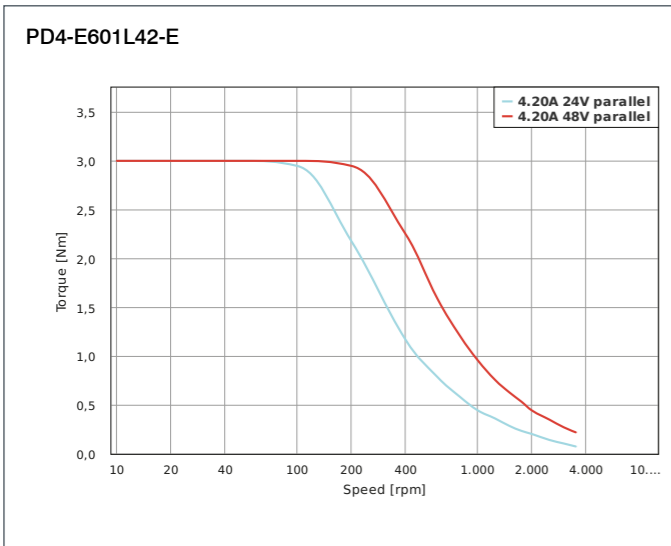
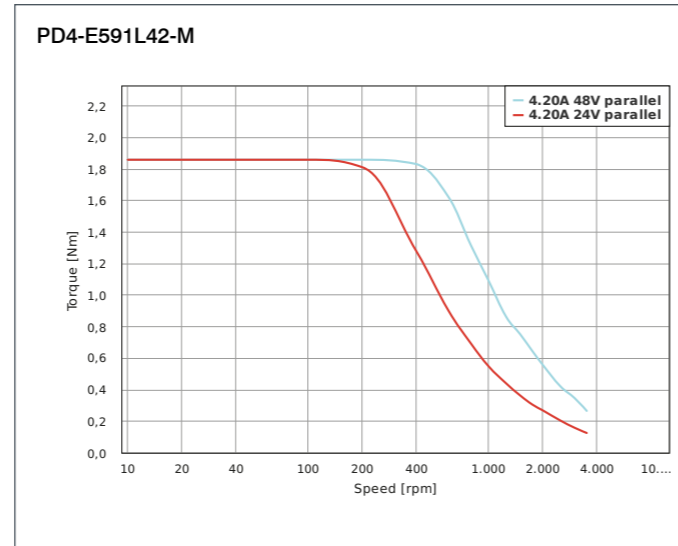
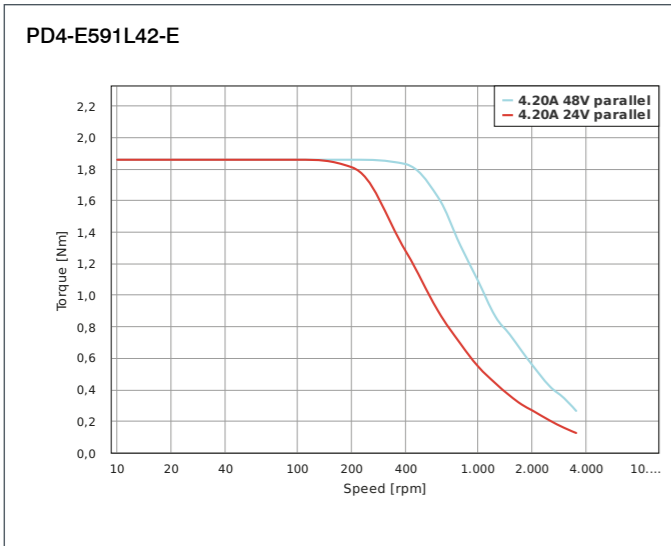
PD4-E601L42-E-65-3



PD4-E601L42-E-65-7



TORQUE CURVES



Notes section with horizontal lines for writing.