



OPTION



VERSIONS

Type	Force N	Speed mm/s	Current per Winding A	Resolution $\mu\text{m}/\text{step}$	Resistance per Winding Ohm	Inductance per Winding mH	Thread Diameter mm	Thread Lead mm	Length „A“ mm	Socket Length „L“ mm	Weight kg
LA281S10-A-THCA	93.4	35	1	10	2.7	2.5	5	2	33	15	0.11
LA281S10-B-THCA	93.4	35	1	10	2.7	2.5	5	2	33	15	0.11
LA281S10-A-UGFC	50	120	1	25.4	2.7	2.5	4.76	5.08	33	15	0.11
LA281S10-B-UGFC	50	120	1	25.4	2.7	2.5	4.76	5.08	33	15	0.11
LA281S10-A-UGAQ	210	19	1	3.175	2.7	2.5	4.76	0.635	33	15	0.11
LA281S10-B-UGAQ	210	19	1	3.175	2.7	2.5	4.76	0.635	33	15	0.11
LA281M06-A-THCA	152.1	35	0.6	10	7.3	6.52	5	2	41	15	0.14
LA281M06-B-THCA	152.1	35	0.6	10	7.3	6.52	5	2	41	15	0.14
LA281M15-A-THCA	152.1	35	1.5	10	1.45	1.25	5	2	41	15	0.14
LA281M15-B-THCA	152.1	35	1.5	10	1.45	1.25	5	2	41	15	0.14

ORDER IDENTIFIER

LA281S10-
 A-... = single shaft end
 B-... = double shaft end



ACCESSORIES

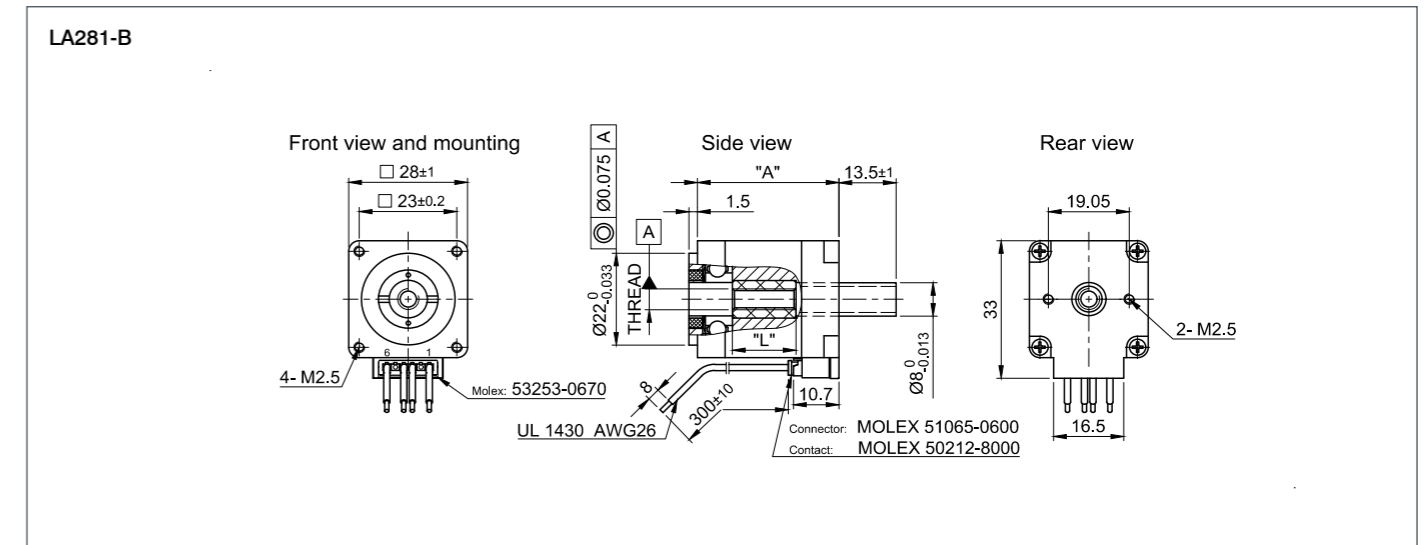
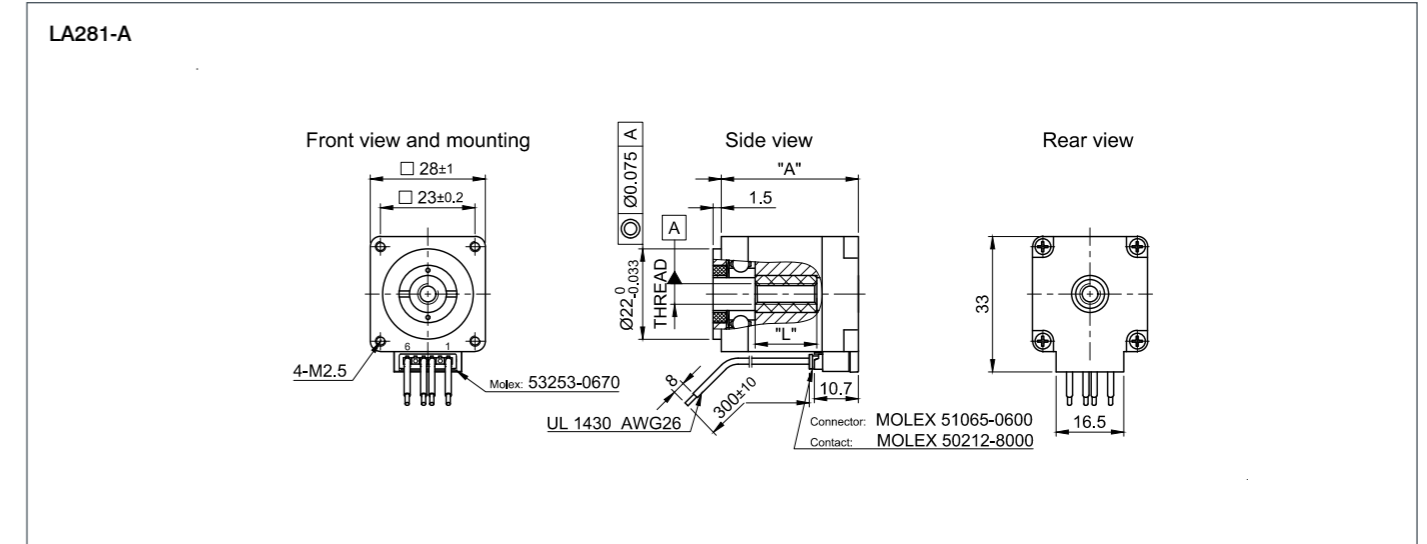
- SCREW-ABA-UGAQ-200**
Lead Screw with ACME Thread
- SCREW-ABA-UGAQ-300**
Lead Screw with ACME Thread
- SCREW-AAA-UGAQ-1000**
Lead Screw with ACME Thread
- SCREW-ABA-UGFC-200**
Lead Screw with ACME Thread
- SCREW-ABA-UGFC-300**
Lead Screw with ACME Thread
- SCREW-AAA-UGFC-1000**
Lead Screw with ACME Thread
- NANOLUBE-50G** Lubricant



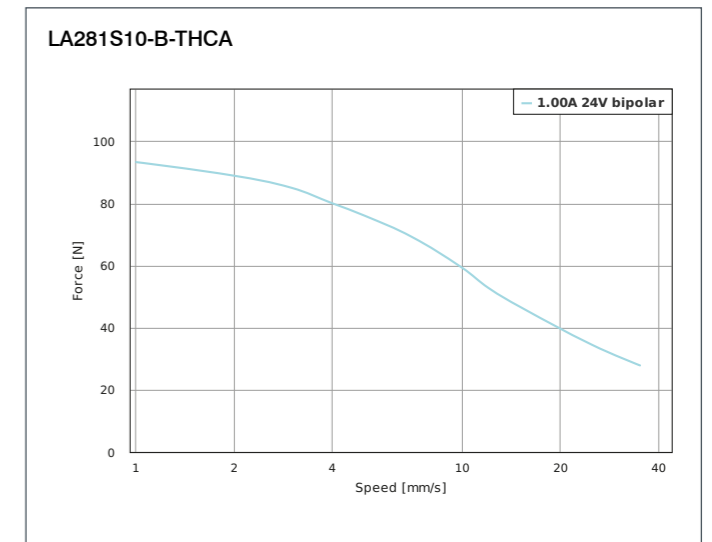
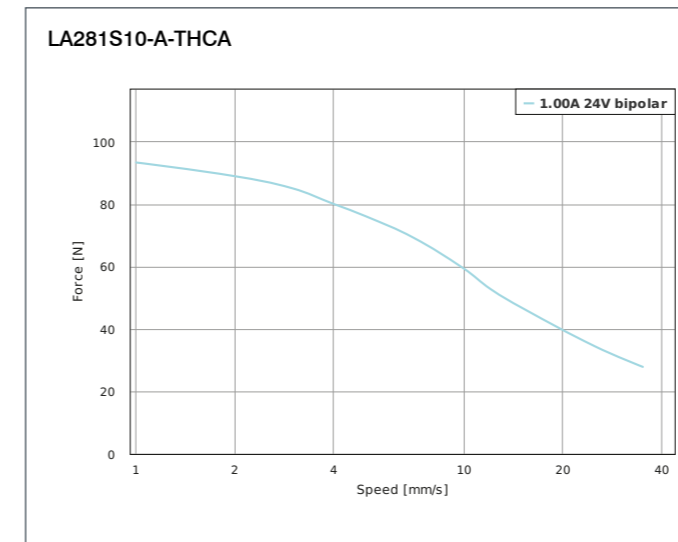
CAUTION

The force and output power ratings listed in the data sheets are based on a duty cycle of approx. 10% to 20% and must be reduced for higher values. Moving against fixed limit stops should be avoided.

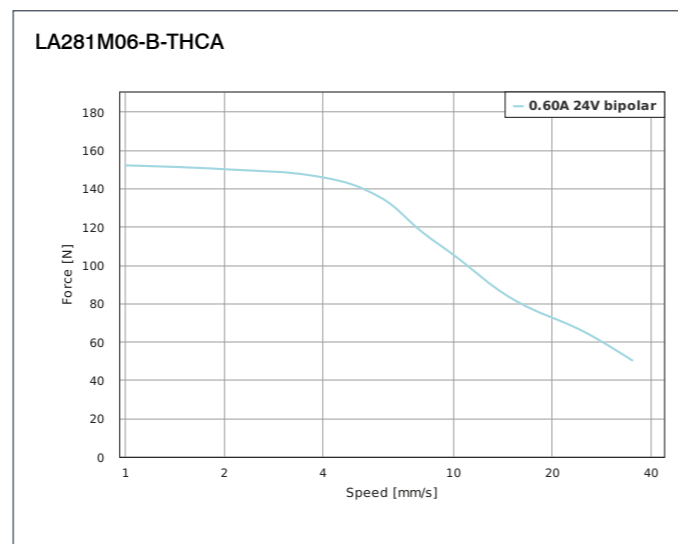
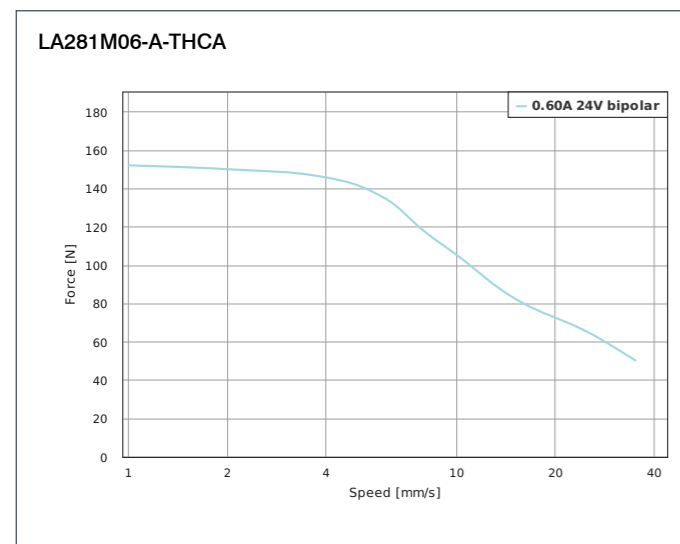
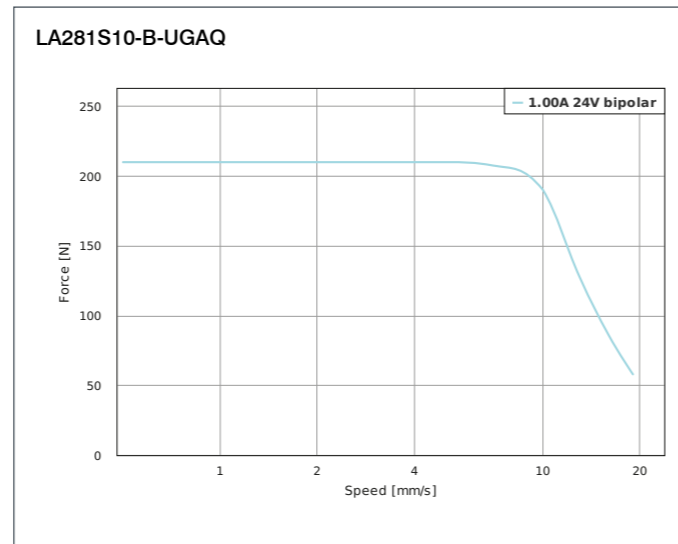
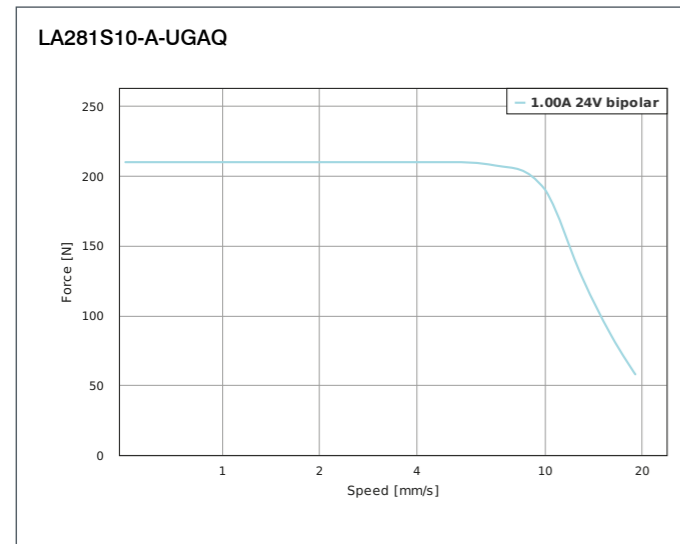
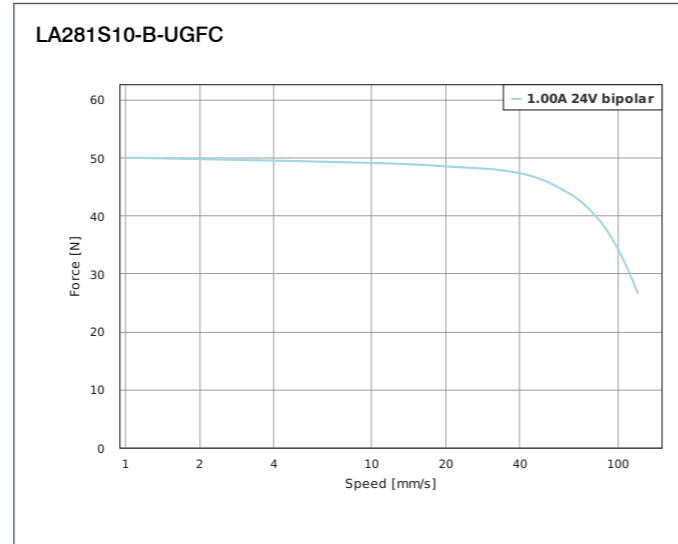
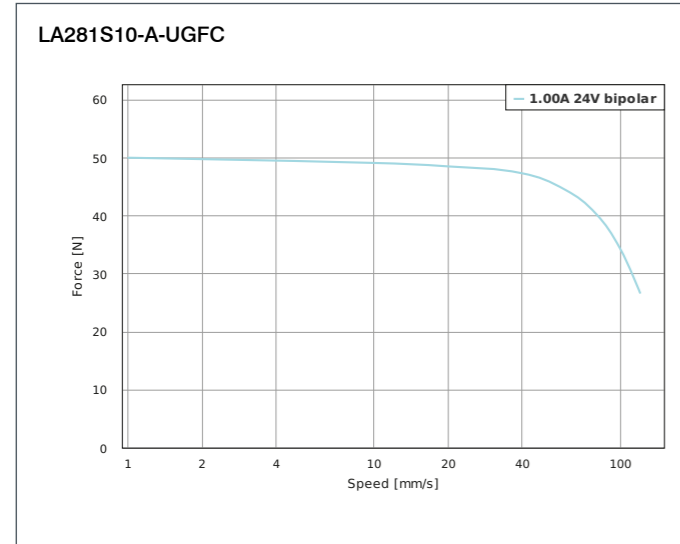
DIMENSIONS (IN MM)



FORCE-VELOCITY CURVES



FORCE-VELOCITY CURVES



FORCE-VELOCITY CURVES

