



ORDER IDENTIFIER

GPLE80-1S-3-F87
= for NEMA 34 motors

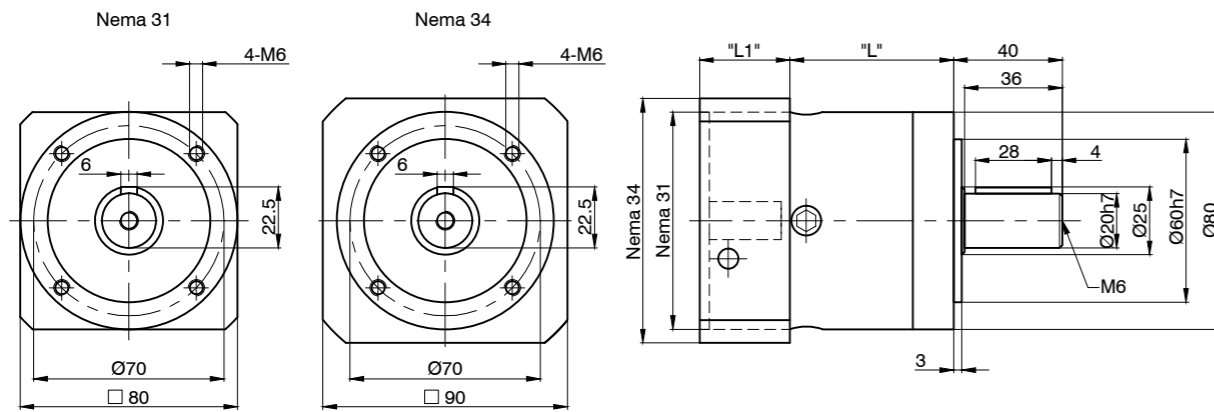
TECHNICAL DATA

IP Protection (Except Shaft Output)	IP54
Service Life*	30000
For Motor Size	NEMA 34
Operating Temperature	-25 to +90 °C
Admissible Axial Shaft Load	900 N
Admissible Radial Shaft Load	650 N
Max. Input Speed	7000 rpm

*The estimated service life is an approximate value based on the listed nominal torques and an ambient temperature of 30 °C. There are no data available for differing conditions as the environmental factors and operating conditions may vary greatly.

DIMENSIONS (IN MM)

GPLE80



VERSIONS

Type	Reduction Ratio	Rated Output Torque Nm	Max. Output Torque Nm	Efficiency %	Max. Backlash (arc minutes)	Moment of Inertia kg mm ²	Length „L“ mm	Flange Length L1 mm	Weight kg
GPLE80-1S-3	3	85	136	97	7	77	60.5	41.5	2.1
GPLE80-1S-4	4	115	184	97	7	52	60.5	41.5	2.1
GPLE80-1S-5	5	110	176	97	7	45	60.5	41.5 - 43.5	2.1
GPLE80-1S-8	8	50	80	97	7	39	60.5	41.5	2.1
GPLE80-1S-10	10	38	61	97	7	39	60.5	41.5 - 43.5	2.1
GPLE80-2S-9	9	130	208	95	9	74	77.5	41.5	2.6
GPLE80-2S-12	12	120	192	95	9	72	77.5	41.5	2.6
GPLE80-2S-15	15	110	176	95	9	71	77.5	41.5	2.6
GPLE80-2S-16	16	120	192	95	9	50	77.5	41.5	2.6
GPLE80-2S-20	20	120	192	95	9	50	77.5	41.5	2.6
GPLE80-2S-25	25	110	176	95	9	44	77.5	41.5 - 43.5	2.6
GPLE80-2S-32	32	120	192	95	9	39	77.5	41.5	2.6
GPLE80-2S-40	40	110	176	95	9	39	77.5	41.5	2.6
GPLE80-2S-64	64	50	80	95	9	39	77.5	41.5	2.6
GPLE80-3S-60	60	110	176	91	11	51	95	41.5	3.1
GPLE80-3S-80	80	120	192	91	11	50	95	41.5	3.1
GPLE80-3S-100	100	120	192	91	11	44	95	41.5	3.1
GPLE80-3S-120	120	110	176	91	11	70	95	41.5	3.1
GPLE80-3S-160	160	120	192	91	11	39	95	41.5	3.1
GPLE80-3S-256	256	120	192	91	11	39	95	41.5	3.1
GPLE80-3S-320	320	110	176	91	11	39	95	41.5	3.1
GPLE80-3S-512	512	50	80	91	11	39	95	41.5	3.1