

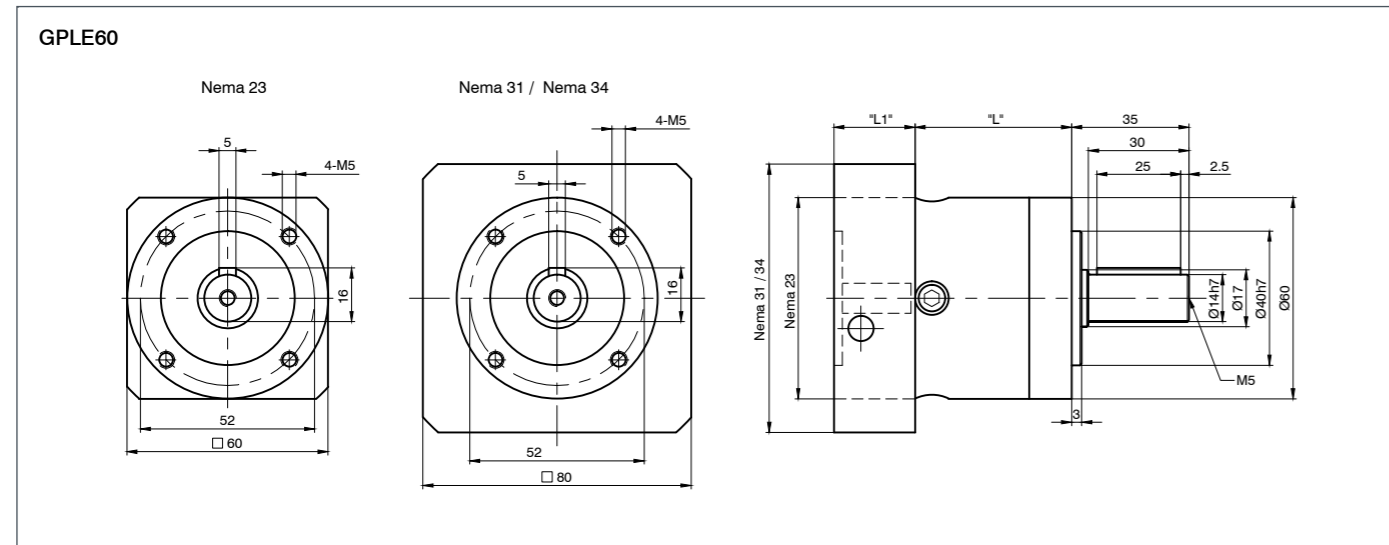


TECHNICAL DATA

IP Protection (Except Shaft Output)	IP54
Service Life*	30000
For Motor Size	NEMA 23, NEMA 24, NEMA 34
Operating Temperature	-25 to +90 °C
Admissible Axial Shaft Load	450 N
Admissible Radial Shaft Load	340 N
Max. Input Speed	13000 rpm

*The estimated service life is an approximate value based on the listed nominal torques and an ambient temperature of 30 °C. There are no data available for differing conditions as the environmental factors and operating conditions may vary greatly.

DIMENSIONS (IN MM)



ORDER IDENTIFIER

GPLE60-1S-3
= for NEMA 23, 24 motors
-F87 = for NEMA 34 motors



ACCESSORIES

MK-DH-8-11-GPLE Spacer Sleeve



VERSIONS

Type	Reduction Ratio	Rated Output Torque Nm	Max. Output Torque Nm	Efficiency %	Max. Backlash ' (arc minutes)	Moment of Inertia kg mm ²	Length „L“ mm	Flange Length L1* mm	Weight kg
GPLE60-1S-3	3	28	45	97	10	13.5	47	24 - 39	0.9
GPLE60-1S-4	4	38	61	97	10	9.3	47	24 - 39	0.9
GPLE60-1S-5	5	40	64	97	10	7.8	47	24 - 41	0.9
GPLE60-1S-8	8	18	29	97	10	6.5	47	24 - 39	0.9
GPLE60-1S-10	10	15	24	97	10	6.5	47	24 - 41	0.9
GPLE60-2S-9	9	44	70	95	12	13.1	59.5	24 - 39	1.1
GPLE60-2S-12	12	44	70	95	12	12.7	59.5	24 - 39	1.1
GPLE60-2S-15	15	44	70	95	12	7.7	59.5	24 - 39	1.1
GPLE60-2S-16	16	44	70	95	12	8.8	59.5	24 - 39	1.1
GPLE60-2S-20	20	44	70	95	12	7.5	59.5	24 - 39	1.1
GPLE60-2S-25	25	40	64	95	12	7.5	59.5	24 - 41	1.1
GPLE60-2S-32	32	44	70	95	12	6.4	59.5	24 - 39	1.1
GPLE60-2S-40	40	40	64	95	12	6.4	59.5	24 - 39	1.1
GPLE60-2S-64	64	18	29	95	12	6.4	59.5	24 - 39	1.1
GPLE60-3S-60	60	44	70	91	15	7.6	72	24 - 39	1.3
GPLE60-3S-80	80	44	70	91	15	7.5	72	24 - 39	1.3
GPLE60-3S-100	100	44	70	91	15	7.5	72	24	1.3
GPLE60-3S-120	120	44	70	91	15	6.4	72	24	1.3
GPLE60-3S-160	160	44	70	91	15	6.4	72	24	1.3
GPLE60-3S-200	200	40	64	91	15	6.4	72	24	1.3
GPLE60-3S-256	256	44	70	91	15	6.4	72	24	1.3
GPLE60-3S-320	320	40	64	91	15	6.4	72	24	1.3
GPLE60-3S-512	512	18	29	91	15	6.4	72	24	1.3

* The intermediate flange size (L1) of NEMA 23 and 24 motors is 24 mm and 39 mm for NEMA 34 motors.